

Quote		Order	
Billing/Shipping Information:			
Date:		Name:	
PO Number:		Address:	
Branch:			
Mark For:		City:	
Dealer Contact:		State:	
Email Address:		Zip Code:	
Phone:		Phone:	

The Corner Seat is an adjustable floor based seating system that provides support for young children approximately 6 months - 10 years.



Key Features:

- The sturdy “wings” and corner design help to maintain symmetry of the users’s spine.
- Adjustable upper support can be used to support the head or shoulders
- A simple first seat to introduce children to long-leg
 - PU material is easy to clean
 - Removable abduction block



Corner Seat	Size 1	Size 2	Size 3
Age Range (Approximate)	6 months - 2 years	6 months - 6 years	4 years - 10 years
User Weight (Max)	55 lbs	77 lbs	110 lbs
Total Back Support Height	12” - 17”	17” - 24”	20” - 27”
Lower Back Support Height	7”	9”	9”
Hip Width	13”	15”	20”
Seat Depth	14”	15”	18”
Footprint	20” x 20”	21” x 22”	24” x 26”

Suggested HCPCS Code - E1399*

**It is the responsibility of the CRT provider to determine the HCPCS code most appropriate for each circumstance. The HCPCS codes for reference only and are not to be deemed as legal advice. Actual coding and coverage varies by funding entities and the use of HCPCS does not guarantee coverage or payment.*



Available in Green

The Corner Seat Includes:

- Adjustable, Removable Upper Support
- Adjustable Abduction Block
- Chest Strap
- Lap Strap
- Padded, PU Surface
- Nursery Table



Nursery Table Required

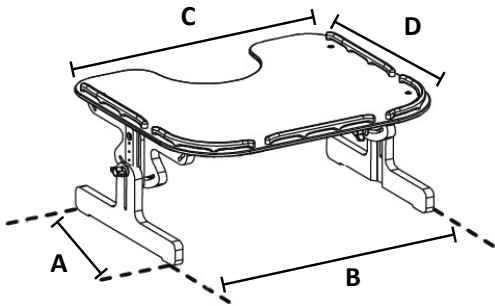
PLEASE SELECT CORNER SEAT SIZE (REQUIRED):

Size 1		
NR45-03	\$1,271	

Size 2		
NR46-03	\$1,663	

Size 3		
NR47-03	\$2,333	

NURSERY TABLE SIZE (REQUIRED):



Sturdy table with a large, angle adjustable surface area.
A short strap on each side can attach to the Corner Seat, which would prevent tipping. Natural.

Size 0 A: 15" B: 24" C: 24" D: 20" E: 8"-11" Angle: 40°-40°	NR64	\$877	
Size 1 A: 15" B: 24" C: 24" D: 20" E: 10"-14" Angle: 40°-40°	NR67	\$881	
Size 2 A: 17" B: 28" C: 28" D: 20" E: 11"-17" Angle: 40°-40°	NR68	\$976	
Size 1 Corner Seat = Nursery Table Size 0 Size 2 Corner Seat = Nursery Table Size 1 Size 3 Corner Seat = Nursery Table Size 2			

OPTIONAL POSITIONING COMPONENTS:

HEADALOFT.

Temporal & Sub-occipital support with 3 sizes flip-up forehead straps

Headaloft (K0108)	HEADALOFT	\$490	
-------------------	-----------	-------	--