

BILLING/SHIPPING INFORMATION					
Date:		Name:			
PO Number:		Address:			
Branch:					
Mark for:		City:			
Dealer Contact:		State:			
Email Address:		Zip Code:			
Phone:		Phone:			
		QUOTE	<input type="checkbox"/>	ORDER	<input type="checkbox"/>

A simple to use, yet comprehensive standing system providing prone and upright positioning .
Abduction configuration option available on the size 1 model.



Multistander size 1



**Multistander with Abduction
Size 1 Only**



Multistander size 2

KEY FEATURES

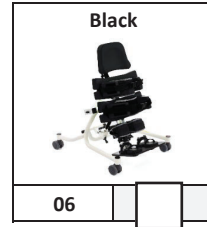
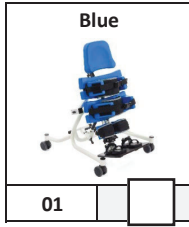
- Robust angle adjustment mechanism
- Angle adjustable footplate(s) as standard
- Polyurethane support surfaces with anti-microbial agent
- Lateral support pads include de-rotational straps to Correct Positioning

	Size 1 standard	Size 1 ABD	Size 2
Age Range (approx)	9 mths - 6 yrs	9 mths - 6 yrs	3 yrs - 13 yrs
User Height	24" - 46"	24" - 46"	43" - 61"
User Weight (max)	77 lbs	77 lbs	132 lbs
Chest/Hip Width	6" - 11"	6" - 11"	8" - 13"
Height (Footplate to top of upper support)	19" - 34"	20" - 35"	30" - 47"
Height (Floor to top of upper support board)	26" - 37"	26" - 37"	33" - 50"
Height (Floor to support board, at horizontal)	24"	24"	29"
Knee block width (center to center) min/max	5" - 8"	5" - 7"	5" - 8"
Footplate Angle	15° - 15°	15° - 15°	15° - 15°
Individual Leg Abduction - 5 degree increments	Trace	0° - 30°	Trace
Tilt-in-Space Angle	10° - 90°	10° - 90°	10° - 90°

Suggested HCPCS code: E0641**

***It is the responsibility of the CRT provider to determine the HCPCS code most appropriate for each circumstance. The HCPCS codes for reference only and are not to be deemed as legal advice. Actual coding and coverage varies by funding entities and the use of HCPCS does not guarantee coverage or payment.*



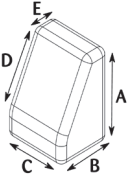
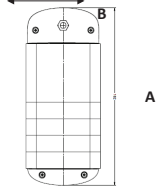
CHOOSE YOUR COLOR- All part numbers containing ** will color match



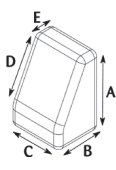



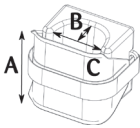
REQUIRED COMPONENTS

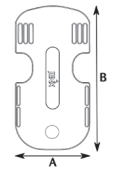



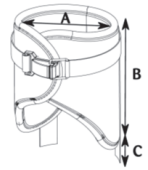
	Size 1	Size 1 ABD	Size 2
BASE	 White metal base with four locking casters and gas strut controlled angle adjustment including safety lock. A: 30" B: 24" MUS01-PRN \$1225	 White metal base with four locking casters and gas strut controlled angle adjustment including safety lock. A: 30" B: 24" MUS01-PRN(ABD) \$1225	 White metal base with four locking casters and linear winding mechanism controlled angle adjustment. A: 42" B: 27" MUS02-PRN \$1851
COLUMN	 Support column for height adjustment and mounting support boards. Includes knee support receiver bracket. Size 1 Base only C1 \$957	 Support column for height adjustment and mounting support boards. Includes individual abd legs and knee support receiver bracket. Size 1 Base Only C1ABD \$1826	 Support column for height adjustment and mounting support boards. Includes knee support receiver bracket. Size 2 Base Only C2 \$1282
FOOTPLATE	 One piece angle adjustable footplate offering plantar and dorsa flexion with mounting slots for sandals. Size 1 Base Only A: 15" B: 11" FP1 \$653	 Individual angle adjustable footplates offering plantar and dorsa flexion with mounting slots for sandals. Size 1 Base Only A: 13" B: 6" FPABD \$931	 One piece angle adjustable footplate offering plantar and dorsa flexion with mounting slots for sandals. Size 2 Base Only A: 15" B: 13" FP2 \$891
SUPPORT BOARDS	 Independently adjustable thoracic and pelvic support boards with mounting slots for support pads. Made from hygienic PU. A: 18" B: 6" C: 2" 1B-** \$1061	 Independently adjustable thoracic and pelvic support boards with mounting slots for support pads. Made from hygienic PU. A: 18" B: 6" C: 2" 1B-** \$1061	 Independently adjustable thoracic and pelvic support boards with mounting slots for support pads. Made from hygienic PU. A: 20" B: 7" C: 2" 2B-** \$1517

REQUIRED COMPONENTS- Please select one option from each section

TRUNK SUPPORT		<p>Support pads with de-rotational straps (wedge shaped). Adjustable for height, width and angle. Pair</p> <table border="1"> <tr> <td>MB06-**</td> <td>\$469</td> <td><input type="checkbox"/></td> </tr> <tr> <td>Size 1</td> <td>A: 4" B: 4" C: 4" D: 5" E: 1"</td> <td></td> </tr> <tr> <td>MB07-**</td> <td>\$521</td> <td><input type="checkbox"/></td> </tr> <tr> <td>Size 2</td> <td>A: 5" B: 4" C: 4" D: 6" E: 1"</td> <td></td> </tr> <tr> <td>MB02-**</td> <td>\$743</td> <td><input type="checkbox"/></td> </tr> <tr> <td colspan="3">**Double pad A: 4" B: 4" C: 8" D: 5" E: 1"</td> </tr> </table>	MB06-**	\$469	<input type="checkbox"/>	Size 1	A: 4" B: 4" C: 4" D: 5" E: 1"		MB07-**	\$521	<input type="checkbox"/>	Size 2	A: 5" B: 4" C: 4" D: 6" E: 1"		MB02-**	\$743	<input type="checkbox"/>	**Double pad A: 4" B: 4" C: 8" D: 5" E: 1"				<table border="1"> <tr> <td>MB33</td> <td>\$626</td> <td><input type="checkbox"/></td> </tr> <tr> <td>Size 1</td> <td>A: 7" B: 3" C: .9"</td> <td></td> </tr> <tr> <td>MB34</td> <td>\$667</td> <td><input type="checkbox"/></td> </tr> <tr> <td>Size 2</td> <td>A: 9" B: 3" C: .9"</td> <td></td> </tr> <tr> <td>MB35</td> <td>\$733</td> <td><input type="checkbox"/></td> </tr> <tr> <td colspan="3">A: 9" B: 4" C: .9"</td> </tr> </table>	MB33	\$626	<input type="checkbox"/>	Size 1	A: 7" B: 3" C: .9"		MB34	\$667	<input type="checkbox"/>	Size 2	A: 9" B: 3" C: .9"		MB35	\$733	<input type="checkbox"/>	A: 9" B: 4" C: .9"		
	MB06-**	\$469	<input type="checkbox"/>																																					
	Size 1	A: 4" B: 4" C: 4" D: 5" E: 1"																																						
	MB07-**	\$521	<input type="checkbox"/>																																					
	Size 2	A: 5" B: 4" C: 4" D: 6" E: 1"																																						
	MB02-**	\$743	<input type="checkbox"/>																																					
**Double pad A: 4" B: 4" C: 8" D: 5" E: 1"																																								
MB33	\$626	<input type="checkbox"/>																																						
Size 1	A: 7" B: 3" C: .9"																																							
MB34	\$667	<input type="checkbox"/>																																						
Size 2	A: 9" B: 3" C: .9"																																							
MB35	\$733	<input type="checkbox"/>																																						
A: 9" B: 4" C: .9"																																								
																																								

PELVIC SUPPORT		<p>Support pads with de-rotational straps (wedge shaped). Adjustable for height, width and angle. Pair</p> <p>Note image to right of MB02 configuration</p> <table border="1"> <tr> <td>MB06-**</td> <td>\$469</td> <td><input type="checkbox"/></td> </tr> <tr> <td>Size 1</td> <td>A: 4" B: 4" C: 4" D: 5" E: 1"</td> <td></td> </tr> <tr> <td>MB07-**</td> <td>\$521</td> <td><input type="checkbox"/></td> </tr> <tr> <td>Size 2</td> <td>A: 5" B: 4" C: 4" D: 6" E: 1"</td> <td></td> </tr> <tr> <td>MB02-**</td> <td>\$743</td> <td><input type="checkbox"/></td> </tr> <tr> <td colspan="3">**Double pad A: 4" B: 4" C: 8" D: 5" E: 1"</td> </tr> </table>	MB06-**	\$469	<input type="checkbox"/>	Size 1	A: 4" B: 4" C: 4" D: 5" E: 1"		MB07-**	\$521	<input type="checkbox"/>	Size 2	A: 5" B: 4" C: 4" D: 6" E: 1"		MB02-**	\$743	<input type="checkbox"/>	**Double pad A: 4" B: 4" C: 8" D: 5" E: 1"			
	MB06-**	\$469	<input type="checkbox"/>																		
	Size 1	A: 4" B: 4" C: 4" D: 5" E: 1"																			
	MB07-**	\$521	<input type="checkbox"/>																		
	Size 2	A: 5" B: 4" C: 4" D: 6" E: 1"																			
	MB02-**	\$743	<input type="checkbox"/>																		
**Double pad A: 4" B: 4" C: 8" D: 5" E: 1"																					
																					

KNEE SUPPORT		<p>PU knee blocks adjustable for height, width angle and depth. Complete with padded de-rotational knee straps. Pair</p> <table border="1"> <tr> <td>MB09-**</td> <td>\$416</td> <td><input type="checkbox"/></td> </tr> <tr> <td>Size 1</td> <td>A: 4" B: 2" C: 3"</td> <td></td> </tr> <tr> <td>MB04-**</td> <td>\$483</td> <td><input type="checkbox"/></td> </tr> <tr> <td>Size 2</td> <td>A: 5" B: 2.5" C: 4"</td> <td></td> </tr> </table>	MB09-**	\$416	<input type="checkbox"/>	Size 1	A: 4" B: 2" C: 3"		MB04-**	\$483	<input type="checkbox"/>	Size 2	A: 5" B: 2.5" C: 4"	
	MB09-**	\$416	<input type="checkbox"/>											
	Size 1	A: 4" B: 2" C: 3"												
	MB04-**	\$483	<input type="checkbox"/>											
	Size 2	A: 5" B: 2.5" C: 4"												
														

FOOT POSITIONING		<table border="1"> <tr> <th colspan="2">Dimensions</th> </tr> <tr> <td>Size 1</td> <td>A: 3" B: 7"</td> </tr> <tr> <td>Size 2</td> <td>A: 4" B: 8.7"</td> </tr> </table>	Dimensions		Size 1	A: 3" B: 7"	Size 2	A: 4" B: 8.7"				<table border="1"> <tr> <th colspan="2">Dimensions</th> </tr> <tr> <td>Size 1</td> <td>A: 5"-9" B: 5" C: 0" - 9"</td> </tr> <tr> <td>Size 2</td> <td>A: 7" - 12" B: 5" C: 0" - 9"</td> </tr> </table>	Dimensions		Size 1	A: 5"-9" B: 5" C: 0" - 9"	Size 2	A: 7" - 12" B: 5" C: 0" - 9"																													
	Dimensions																																														
	Size 1	A: 3" B: 7"																																													
	Size 2	A: 4" B: 8.7"																																													
	Dimensions																																														
	Size 1	A: 5"-9" B: 5" C: 0" - 9"																																													
	Size 2	A: 7" - 12" B: 5" C: 0" - 9"																																													
	<p>Sandals Ensure solid foot placement for effective leg positioning and standing. Pair</p>	<p>Sandal Risers Contain 4 blocks measuring .7" each and designed for use with 1 foot. Black</p>	<p>Sandals w/Ankle Snug Offers unique magnetic buckle which can be operated single handed, gray. Pair</p>																																												
	<table border="1"> <tr> <td>Size 1</td> <td>S16</td> <td>\$178</td> <td><input type="checkbox"/></td> </tr> <tr> <td>Size 2</td> <td>S2</td> <td>\$203</td> <td><input type="checkbox"/></td> </tr> <tr> <td>Size 3</td> <td>S3</td> <td>\$218</td> <td><input type="checkbox"/></td> </tr> </table>	Size 1	S16	\$178	<input type="checkbox"/>	Size 2	S2	\$203	<input type="checkbox"/>	Size 3	S3	\$218	<input type="checkbox"/>	<table border="1"> <tr> <td>Size 1</td> <td>SRB1</td> <td>\$133</td> <td><input type="checkbox"/></td> </tr> <tr> <td>Size 2</td> <td>SRB2</td> <td>\$158</td> <td><input type="checkbox"/></td> </tr> <tr> <td>Size 3</td> <td>SRB3</td> <td>\$173</td> <td><input type="checkbox"/></td> </tr> <tr> <td colspan="2">SWP178</td> <td>\$34</td> <td><input type="checkbox"/></td> </tr> <tr> <td colspan="2">Add'l screw pack for 2:2 combination</td> <td></td> <td></td> </tr> </table>	Size 1	SRB1	\$133	<input type="checkbox"/>	Size 2	SRB2	\$158	<input type="checkbox"/>	Size 3	SRB3	\$173	<input type="checkbox"/>	SWP178		\$34	<input type="checkbox"/>	Add'l screw pack for 2:2 combination				<table border="1"> <tr> <td>Size 1</td> <td>S19</td> <td>\$387</td> <td><input type="checkbox"/></td> </tr> <tr> <td>Size 2</td> <td>S21</td> <td>\$438</td> <td><input type="checkbox"/></td> </tr> <tr> <td>Size 3</td> <td colspan="2">N/A</td> <td></td> </tr> </table>	Size 1	S19	\$387	<input type="checkbox"/>	Size 2	S21	\$438	<input type="checkbox"/>	Size 3	N/A		
	Size 1	S16	\$178	<input type="checkbox"/>																																											
Size 2	S2	\$203	<input type="checkbox"/>																																												
Size 3	S3	\$218	<input type="checkbox"/>																																												
Size 1	SRB1	\$133	<input type="checkbox"/>																																												
Size 2	SRB2	\$158	<input type="checkbox"/>																																												
Size 3	SRB3	\$173	<input type="checkbox"/>																																												
SWP178		\$34	<input type="checkbox"/>																																												
Add'l screw pack for 2:2 combination																																															
Size 1	S19	\$387	<input type="checkbox"/>																																												
Size 2	S21	\$438	<input type="checkbox"/>																																												
Size 3	N/A																																														

OPTIONAL COMPONENTS

TRAY ACCESSORIES		<p>Tray for use in prone or supine. Easy to attach and adjust for height, angle and depth and includes a tray infill for use in prone standing. Gray</p>		<p>Elbow Blocks Used to encourage arms into a midline position and/or to block excessive retraction. Gray Pair</p>			
	<p>A: 25.6" B: 17.7" C: 14.6" D: 13" (w/insert)</p>	<p>Compatible with Size 1 only</p>					
	<p>MT02 \$802 <input type="checkbox"/></p>						
	<p>A: 27.6" B: 20.9" C: 18.1" D 16.1" (w/insert)</p>	<p>Compatible with Size 2 only</p>					
		<p>MT03 \$1104 <input type="checkbox"/></p>	<p>A: 3.9" B: 3.3" C: 5.5"</p>	<p>UBEB \$286 <input type="checkbox"/></p>			
ADDITIONAL ACCESSORIES		<p>Multigrip Body Support Can be used as a shoulder protractor in Supine or to provide additional lumbar support between the trunk and pelvic boards. Compatible with size 2 only. Use of the Multigrip Body Support extends user height range by 6"</p>		<p>Prone Chest Prompt A small, foam sternal prompt used to encourage extension of the thorax and help improve head control. Comes with (2) color matching fabric support board covers.</p>			
	<p>A: 11" B: 2.4" C: 2.75"</p>	<p>MUS2SS-** \$521 <input type="checkbox"/></p>			<p>MB03 \$443 <input type="checkbox"/></p>		

HEADALOFT

Additional External Head Support Option

<p>HeadAloft includes:</p> <ul style="list-style-type: none"> -Adjustable, removable, padded headrest with (2) buckle attachment straps-3 different sized, flip-away head support straps -Occipital support cushion 				
<p>HEADALOFT</p>	<p>\$490</p>			