

BILLING/SHIPPING INFORMATION					
Date:		Name:			
PO Number:		Address:			
Branch:					
Mark for:		City:			
Dealer Contact:		State:			
Email Address:		Zip Code:			
Phone:		Phone:			
		QUOTE	<input type="checkbox"/>	ORDER	<input type="checkbox"/>

A simple to use, yet comprehensive standing system providing prone and upright positioning with the additional option of abduction configuration on the size 1 model.



Multistander size 1



Multistander with Abduction



Multistander size 2

Configurations for representation only

### KEY FEATURES

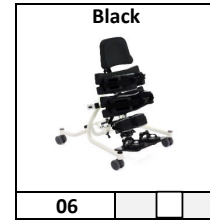
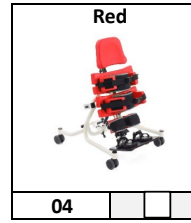
- Robust angle adjustment mechanism
- Angle adjustable footplate(s) as standard
- Polyurethane support surfaces with anti-microbial agent
- Lateral support pads include de-rotational straps to correct positioning

	Size 1 standard	Size 1 ABD	Size 2
Age Range (approx)	9 mths - 6 yrs	9 mths - 6 yrs	3 yrs - 13 yrs
User Height	24.4" - 45.7"	24.4" - 45.7"	43.3" - 61"
User Weight (max)	77 lbs	77 lbs	132 lbs
Chest/Hip Width	5.5" - 10.8"	5.5" - 10.8"	7.6" - 12.6"
Height (Footplate to top of upper support)	19.3" - 33.5"	19.7" - 35"	29.5" - 47.2"
Height (Floor to top of upper support board)	26.4" - 37"	26.4" - 37"	29.5" - 50.4"
Height (Floor to support board, at horizontal)	24"	24"	29"
Knee block width (center to center) min/max	4.75" - 8"	5.1" - 6.9"	5.3" - 8.3"
Footplate Angle	15° - 15°	15° - 15°	15° - 15°
Individual Leg Abduction - 5 degree increments	Trace	0° - 30°	Trace
Tilt-in-Space Angle	10° - 90°	10° - 90°	10° - 90°

Suggested HCPCS code: E0638\*\*

\*\*It is the responsibility of the CRT provider to determine the HCPCS code most appropriate for each circumstance. The HCPCS codes for reference only and are not to be deemed as legal advice. Actual coding and coverage varies by funding entities and the use of HCPCS does not guarantee coverage or payment.

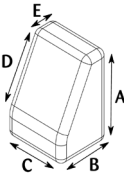
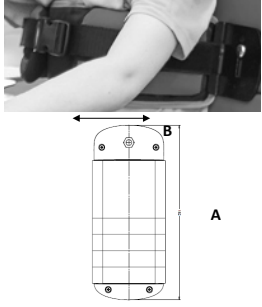
**CHOOSE YOUR COLOR- All part numbers containing \*\* will color match**

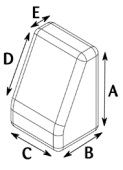


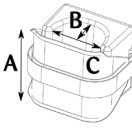
### REQUIRED COMPONENTS

<b>BASE</b>	<p><b>Size 1</b></p> <p>White metal base with four locking casters and gas strut controlled angle adjustment including safety lock.</p> <p>A: 29.9" B: 24.2"</p> <p><b>MUS01-PRN</b>    \$1,441    <input type="checkbox"/></p>	<p><b>Size 1 ABD</b></p> <p>White metal base with four locking casters and gas strut controlled angle adjustment including safety lock.</p> <p>A: 29.9" B: 24.2"</p> <p><b>MUS01-PRN (ABD)</b>    \$1,441    <input type="checkbox"/></p>	<p><b>Size 2</b></p> <p>White metal base with four locking casters and linear winding mechanism controlled angle adjustment.</p> <p>A: 42.1" B: 26.6"</p> <p><b>MUS02-PRN</b>    \$2,069    <input type="checkbox"/></p>
	<p><b>COLUMN</b></p> <p>Support column for height adjustment and mounting support boards. Includes knee support receiver bracket. <b>Size 1 Base only</b></p> <p><b>C1</b>    \$728    <input type="checkbox"/></p>	<p>Support column for height adjustment and mounting support boards. Includes individual abd legs and knee support receiver bracket. <b>Size 1 Base Only</b></p> <p><b>C1ABD</b>    \$1,563    <input type="checkbox"/></p>	<p>Support column for height adjustment and mounting support boards. Includes knee support receiver bracket. <b>Size 2 Base Only</b></p> <p><b>C2</b>    \$1,040    <input type="checkbox"/></p>
	<p><b>FOOTPLATE</b></p> <p>One piece angle adjustable footplate offering plantar and dorsa flexion with mounting slots for sandals. <b>Size 1 Base Only</b></p> <p>A: 14.9" B: 11"</p> <p><b>FP1</b>    \$532    <input type="checkbox"/></p>	<p>Individual angle adjustable footplates offering plantar and dorsa flexion with mounting slots for sandals. <b>Size 1 Base Only</b></p> <p>A: 13" B: 5.9"</p> <p><b>FPABD</b>    \$799    <input type="checkbox"/></p>	<p>One piece angle adjustable footplate offering plantar and dorsa flexion with mounting slots for sandals. <b>Size 2 Base Only</b></p> <p><b>FP2</b>    \$761    <input type="checkbox"/></p>
<p><b>SUPPORT BOARDS</b></p> <p>Independently adjustable thoracic and pelvic support boards with mounting slots for support pads. Made from hygienic PU.</p> <p>A: 17.5" B: 6" C: 1.5"</p> <p><b>1B-**</b>    \$1,020    <input type="checkbox"/></p>	<p>Independently adjustable thoracic and pelvic support boards with mounting slots for support pads. Made from hygienic PU.</p> <p>A: 17.5" B: 6" C: 1.5"</p> <p><b>1B-**</b>    \$1,020    <input type="checkbox"/></p>	<p>Independently adjustable thoracic and pelvic support boards with mounting slots for support pads. Made from hygienic PU.</p> <p>A: 20.25" B: 7" C: 1.5"</p> <p><b>2B-**</b>    \$1,459    <input type="checkbox"/></p>	

**REQUIRED COMPONENTS- Please select one option from each section**

TRUNK SUPPORT		<b>Support pads with de-rotational straps (wedge shaped). Adjustable for height, width and angle. Pair</b>				<b>Support pads with de-rotational straps (paddle shaped). Memory foam, wrap-around pads with padded fabric cover. Pair</b>		
		<b>MB06-**</b>	<b>\$451</b>	<input type="checkbox"/>		<b>MB33</b>	<b>\$602</b>	<input type="checkbox"/>
		A: 3.5" B: 3.5" C: 3.9" D: 4.7" E: 1"				A: 7.1" B: 3" C: .9"		
		<b>MB07-**</b>	<b>\$501</b>	<input type="checkbox"/>		<b>MB34</b>	<b>\$640</b>	<input type="checkbox"/>
		A: 5.1" B: 3.5" C: 3.9" D: 5.5" E: 1"				A: 8.5" B: 3" C: .9"		
		<b>MB02-**</b>	<b>\$714</b>	<input type="checkbox"/>		<b>MB35</b>	<b>\$705</b>	<input type="checkbox"/>
A: 3.5" B: 3.5" C: 7.9" D: 4.7" E: 1"			A: 8.5" B: 4.3" C: .9"					

PELVIC SUPPORT		<b>Support pads with de-rotational straps (wedge shaped). Adjustable for height, width and angle. Pair</b>		
		<b>MB06-**</b>	<b>\$451</b>	<input type="checkbox"/>
		A: 3.5" B: 3.5" C: 3.9" D: 4.7" E: 1"		
		<b>MB07-**</b>	<b>\$501</b>	<input type="checkbox"/>
		A: 5.1" B: 3.5" C: 3.9" D: 5.5" E: 1"		
		<b>MB02-**</b>	<b>\$714</b>	<input type="checkbox"/>
A: 3.5" B: 3.5" C: 7.9" D: 4.7" E: 1"				

KNEE SUPPORT		<b>PU knee blocks adjustable for height, width angle and depth. Complete with padded de-rotational knee straps. Pair</b>		
		<b>MB09-**</b>	<b>\$400</b>	<input type="checkbox"/>
		A: 3.9" B: 1.8" C: 3"		
		<b>MB04-**</b>	<b>\$464</b>	<input type="checkbox"/>
		A: 4.7" B: 2.4" C: 3.7"		

FOOT POSITIONING		<b>Dimensions</b>	<b>Sandals</b>	<b>Sandal Risers</b>	<b>Sandals w/Ankle Snug</b>	<b>Dimensions</b>	
		<b>Size 1</b>				<b>Size 1</b>	
		A: 3.1" B: 6.7"				A: 4.7"- 8.9" B: 4.7" C: 0"- 8.9"	
<b>Size 2</b>	A: 3.7" B: 8.7"	A: 6.5" - 11.6" B: 4.7" C: 0" - 8.9"					

<b>Sandals</b> Ensure solid foot placement for effective leg positioning and standing. Pair			
Size 1	<b>S16</b>	<b>\$171</b>	<input type="checkbox"/>
Size 2	<b>S2</b>	<b>\$195</b>	<input type="checkbox"/>
Size 3	<b>S3</b>	<b>\$210</b>	<input type="checkbox"/>

<b>Sandal Risers</b> Contain 4 blocks measuring .7" each and designed for use with 1 foot. Black			
Size 1	<b>SRB1</b>	<b>\$128</b>	<input type="checkbox"/>
Size 2	<b>SRB2</b>	<b>\$152</b>	<input type="checkbox"/>
Size 3	<b>SRB3</b>	<b>\$166</b>	<input type="checkbox"/>

<b>Sandals w/Ankle Snug</b> Offers unique magnetic buckle which can be operated single handed, gray. Pair			
Size 1	<b>S19</b>	<b>\$372</b>	<input type="checkbox"/>
Size 2	<b>S21</b>	<b>\$421</b>	<input type="checkbox"/>
Size 3	<b>N/A</b>		

## OPTIONAL COMPONENTS

TRAY ACCESSORIES		<p><b>Tray</b> for use in prone or supine. Easy to attach and adjust for height, angle and depth and includes a tray infill for use in prone standing. Gray</p>		<p><b>Elbow Blocks</b> Used to encourage arms into a midline position and/or to block excessive retraction. Gray Pair</p>
		<p>A: 25.6" B: 17.7" C: 14.6" D: 13" (w/insert)</p>		
	<p><b>MT02</b>      \$771      <input type="checkbox"/></p>	<p>Compatible with MUS02 only</p>		
	<p>A: 27.6" B: 20.9" C: 18.1" D 16.1" (w/insert)</p>	<p><b>MT03</b>      \$1,062      <input type="checkbox"/></p>		
ADDITIONAL ACCESSORIES		<p><b>Multigrip Body Support</b> Can be used as a shoulder protractor in Supine or to provide additional lumbar support between the trunk and pelvic boards. <b>Compatible with size 2 only.</b> Use of the Multigrip Body Support extends user height range by 6"</p>		<p><b>Prone Chest Prompt</b> A small, foam sternal prompt used to encourage extension of the thorax and help improve head control. Comes with (2) color matching fabric support board covers.</p>
		<p>A: 11" B: 2.4" C: 2.75"</p>		

Reset Form

Print Form

Email QUOTE Form

Email ORDER Form