

---

# HOGGI<sup>®</sup>



BINGO Evolution  
**Spare parts catalogue**

---

en

---

# Index

---

## 1 Modelidentifikation and basic equipment

1.1 Modelidentifikation	4
1.2 Basic equipment	4

## 2 Spare parts

2.1 Mobility base, with swivelling front wheels	5
2.2 Mobility base, with rigid front wheels	6
2.3 Mobility base for additional equipment	7
2.4 Mobility base for trike	8
2.5 Mobility base Mini (invert),	9
2.6 Seat unit	10
2.7 Seat unit Mini	11
2.8 Frame, for swivel front wheels	12
2.9 Frame, for rigid front wheels	13
2.10 Frame, for additional equipment	14
2.11 Frame, for trike	15
2.12 Frame, for Mini with swivel front wheels	16
2.13 Front bar	17
2.14 Frame suspension system	18
2.15 Spring selection	19
2.16 Rear frame	20
2.17 Break	21
2.18 Push bar	22
2.19 Push bar (parts list)	23
2.20 Seat Bearing, size 1 and 2	24
2.21 Seat Bearing, Mini	25
2.22 Seat Bearing, size	26
2.23 Tie down kit	27
2.24 Tie down kit Mini	28
2.25 Castor fork	29
2.26 Wheel options	30
2.27 Trike front wheel	31
2.28 Drum break's	32
2.29 Seat base	33
2.30 Releaser, tiltingmechanism	34
2.31 Releaser, tiltingmechanism Mini	35
2.32 Seat surface	36
2.33 Seat surface Mini	37
2.34 Hip support	38
2.35 Pelotte thigh	39
2.36 Footresthanger 90°	40
2.37 Foot rest hanger angle adjustable 90-160°	41
2.38 Foot rest hanger angle adjustable 90-160°(parts list)	42
2.39 Foot rest hanger Mini angle adjustable	43
2.40 Foot rest hanger, angle adjust. 85-175° (new version)	44
2.41 Footresthanger 90° (new version)	45
2.42 Foot board assembly angle adjustable and foldable	46
2.43 Footrest flip up lock	47
2.44 Foot plate	48
2.45 Back base	49
2.46 Back base OT	50

---

# Index

---

## 2 Spare parts

2.47 OT Back base plus _____	51
2.48 Lateral support _____	52
2.49 Lateral support aluminum _____	53
2.50 Back insert _____	54
2.51 Backinsert OT _____	55
2.52 Back base Mini _____	56
2.53 Back Mini _____	57
2.54 Upholstery _____	58
2.55 Trunk support _____	59
2.56 Thoraxpelotte Mini _____	60
2.57 Abduction block swing&detachable _____	61
2.58 Abduktion block fixed _____	62
2.59 Retainer for accessories grab rail or therapy tray _____	63
2.60 Retainer for accessories grab rail or therapy tray Mini _____	64
2.61 Grab rail _____	65
2.62 Therapy tray, _____	66
2.63 Therapy tray, height adjustable _____	67
2.64 Swivel lock _____	68
2.65 Attendant brake _____	69
2.66 Canopy _____	70
2.67 Headrest _____	71

---

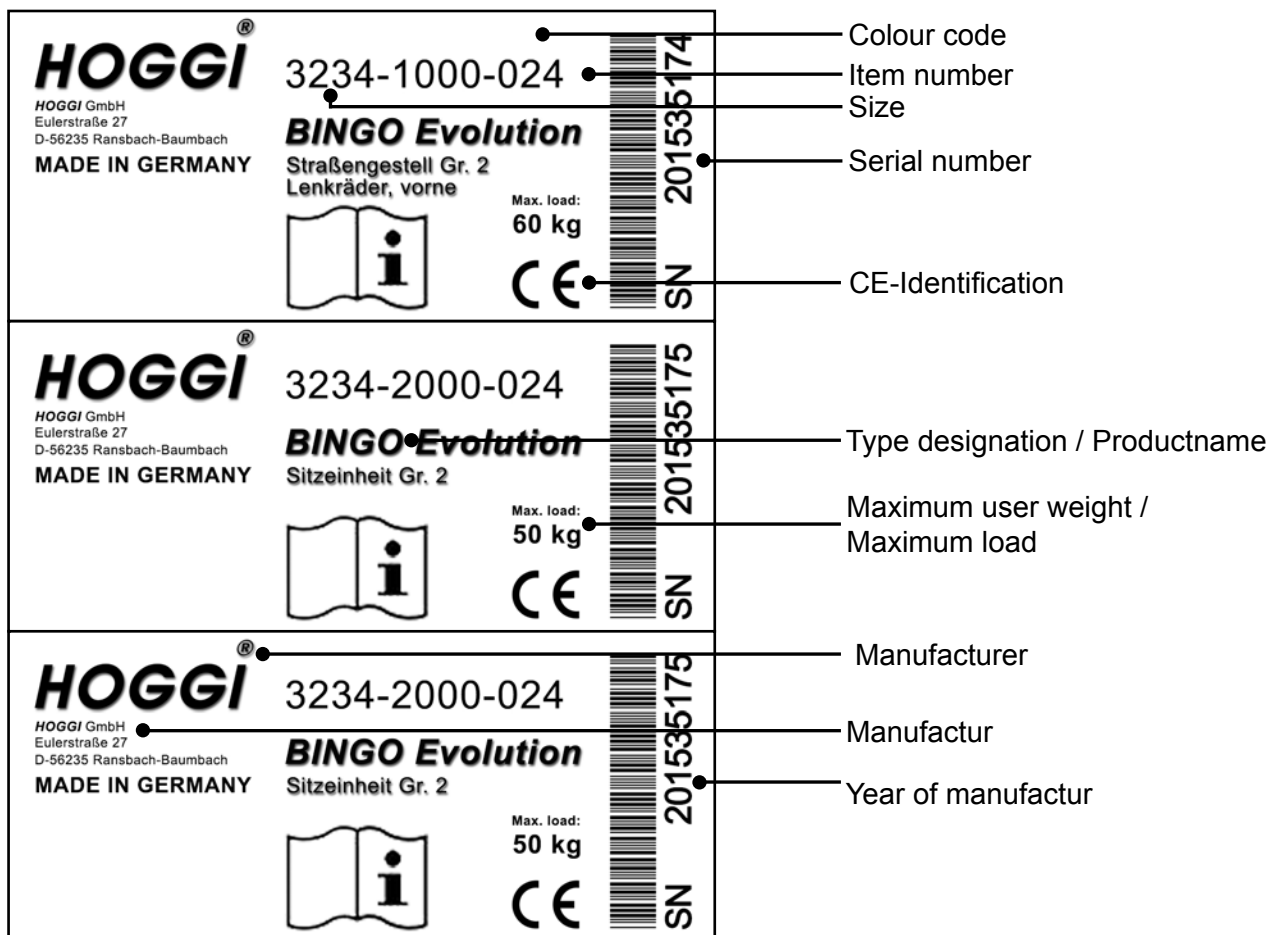
# Modelidentifikation

---

The label with the serial number for the mobility base, is placed on the left side of the side bar.

The label with the serial number for the seat unit, is placed in the middle at the bottom of the seat base.

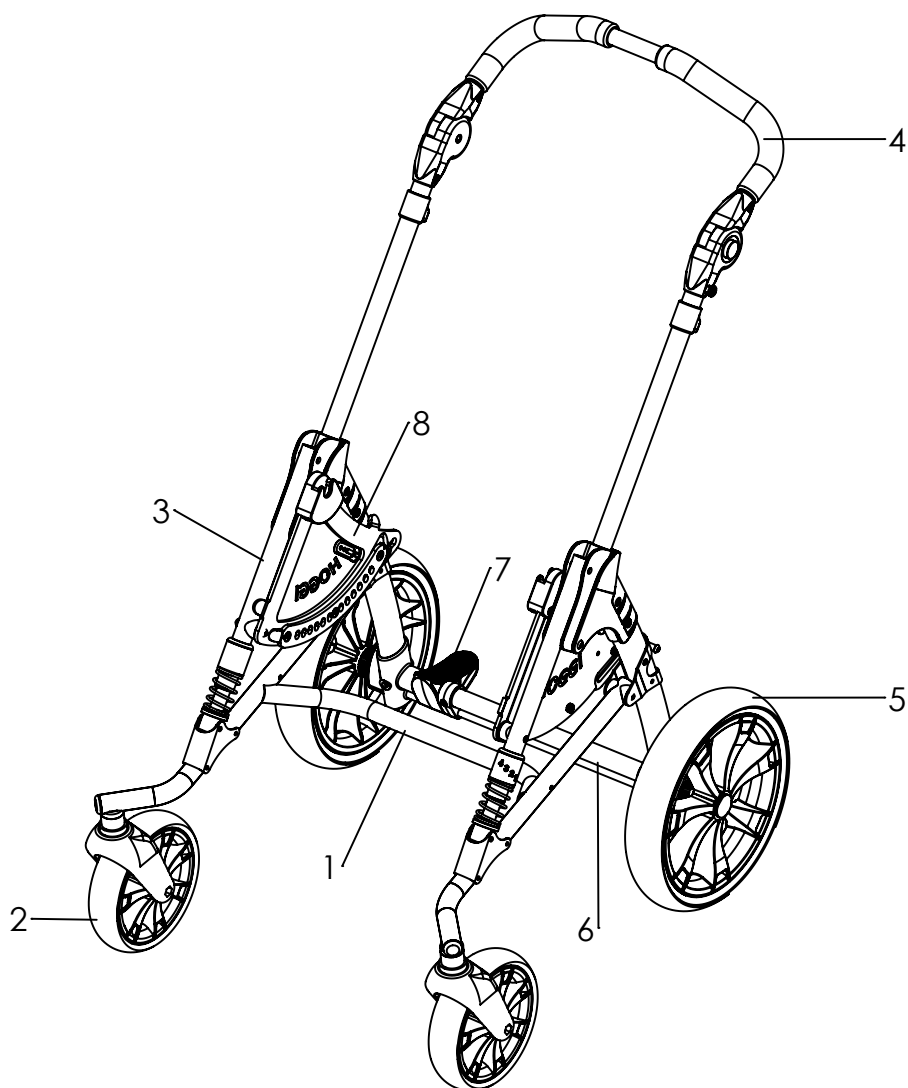
Please give us the Serial number with every spare part order, to ensure a correct delivery.



## 1.2 Basic configuration

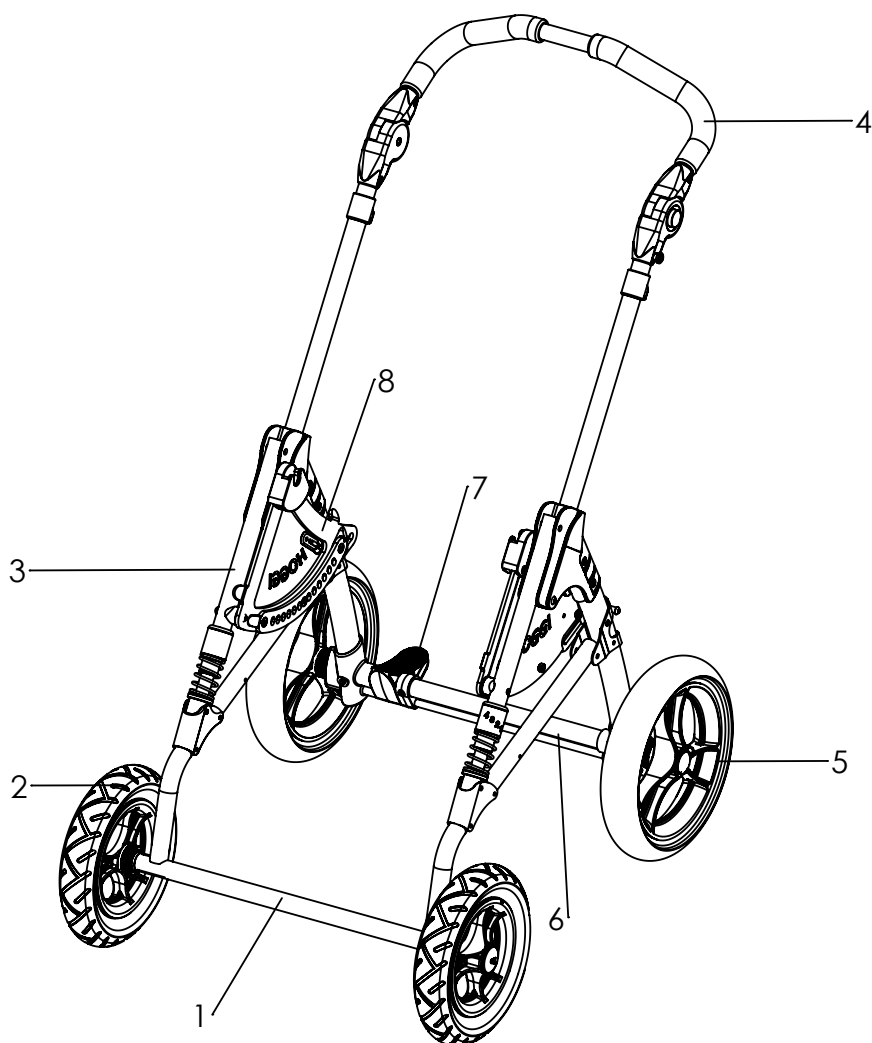
- Bingo EVO Reha-Buggy (Mobility base and seat unit)
- Front- and rear wheels with Pneumatic- oder PU-Wheels
- Upholstery (IPS)
- Pelotte thigh support
- Foot rest hanger, angle adjustable
- Foot rest bracket and foot rest

# Mobility base swivelling front wheels wheels



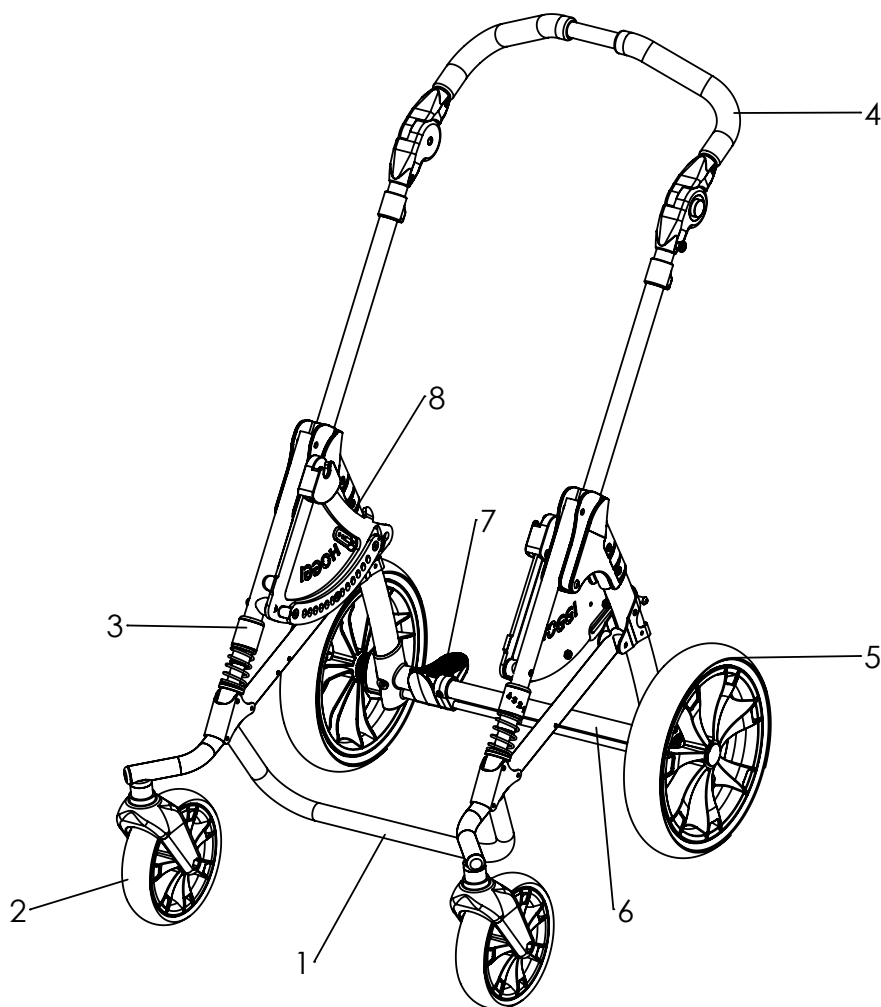
Pos	Article number	Articel description	Page
<b>1-8</b>	<b>3232-1000-xxx</b>	<b>BINGO-Evolution mobility base size 1, swivelling front wheels</b>	
	<b>3234-1000-xxx</b>	<b>BINGO-Evolution mobility base size 2, swivelling front wheels</b>	
1	3232-1100E-xxx	Frame size 1 (swivelling front wheels)	12
	3234-1100E-xxx	Frame size 2 (swivelling front wheels)	
2	12xx-	Front wheel	30
3	3231-1300E-xxx	Front bar	17
	3231-7400E-xxx	Frame suspension system	18
4	3231-1400E-xxx	Push handle size 1	22
	3233-1400E-xxx	Push handle size 2	
5	12xx-	Rear wheel	30
6	3231-1200E-xxx	Rear frame size 1	20
	3233-1200E-xxx	Rear frame size 2	
7	3201-1301E-xxx	Brake size 1	21
	3203-1301E-xxx	Brake size 2	
8	3231-1510E-xxx	Bearing (seat), left	24
	3231-1520E-xxx	Bearing (seat), right	

# Mobility base for rigid front wheels



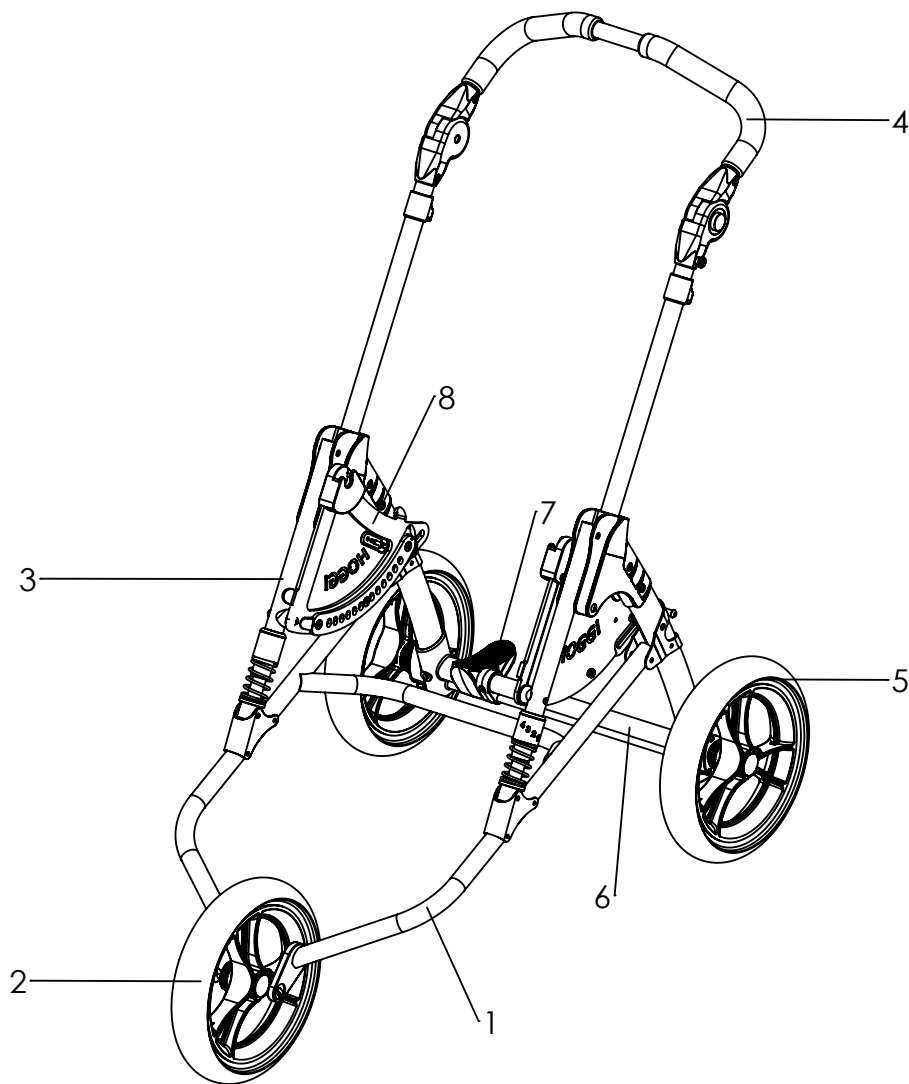
Pos	Article number	Articel description	Page
1-8	<b>3231-1011-032</b>	<b>BINGO Evo mobility base, with rigid front wheels Mini</b>	
	<b>3231-1000-xxx</b>	<b>BINGO Evo mobility base, with rigid front wheels size 1</b>	
	<b>3233-1000-xxx</b>	<b>BINGO Evo mobility base, with rigid front wheels size 2</b>	
1	3231-1100E-xxx	Frame size 1, rigid front wheels	13
	3233-1100E-xxx	Frame size 2, rigid front wheels	
2	12xx-	Front wheel	30
3	3231-1300E-xxx	Front bar	17
	3231-7400E-xxx	Frame suspension system	18
4	3231-1400E-xxx	Push handle size 1	22
	3233-1400E-xxx	Push handle size 2	
5	12xx-	Rear wheel	30
6	3231-1200E-xxx	Rear frame size 1	20
	3233-1200E-xxx	Rear frame size 2	
7	3201-1301E-xxx	Brake size 1	21
	3203-1301E-xxx	Brake size 2	
8	3231-1510E-xxx	Bearing (seat), left	24
	3231-1520E-xxx	Bearing (seat), right	
	3230-1510E	Bearing (seat), Mini left	26
	3230-1520E	Bearing (seat), Mini right	

# Mobility base for additional equipment



Pos	Article number	Articel description	Page
<b>1-8</b>	<b>3238-1011-032</b>	<b>BINGO Evo mobility base for additional equipment Mini</b>	
	<b>3238-1000-xxx</b>	<b>BINGO Evo mobility base for additional equipment size 1</b>	
	<b>3239-1000-xxx</b>	<b>BINGO Evo mobility base for additional equipment size 2</b>	
1	3238-1100E-xxx	Frame size 1 ( for additional equipmen)	14
	3239-1100E-xxx	Frame size 2 ( for additional equipmen)	
2	12xx-	Front wheel	30
3	3231-1300E-xxx	Front bar	17
	3231-7400E-xxx	Frame suspension system	18
4	3231-1400E-xxx	Push handle size 1	22
	3233-1400E-xxx	Push handle size 2	
5	12xx-	Rear wheel	30
6	3231-1200E-xxx	Rear frame size 1	20
	3233-1200E-xxx	Rear frame size 2	
7	3201-1301E-xxx	Rear frame size 1	21
	3203-1301E-xxx	Brake size 2	
8	3231-1510E-xxx	Bearing (seat), left	24
	3231-1520E-xxx	Bearing (seat), right	
	3230-1520E-xxx	Bearing (seat), Mini left	26
	3230-1520E-xxx	Bearing (seat), Mini right	

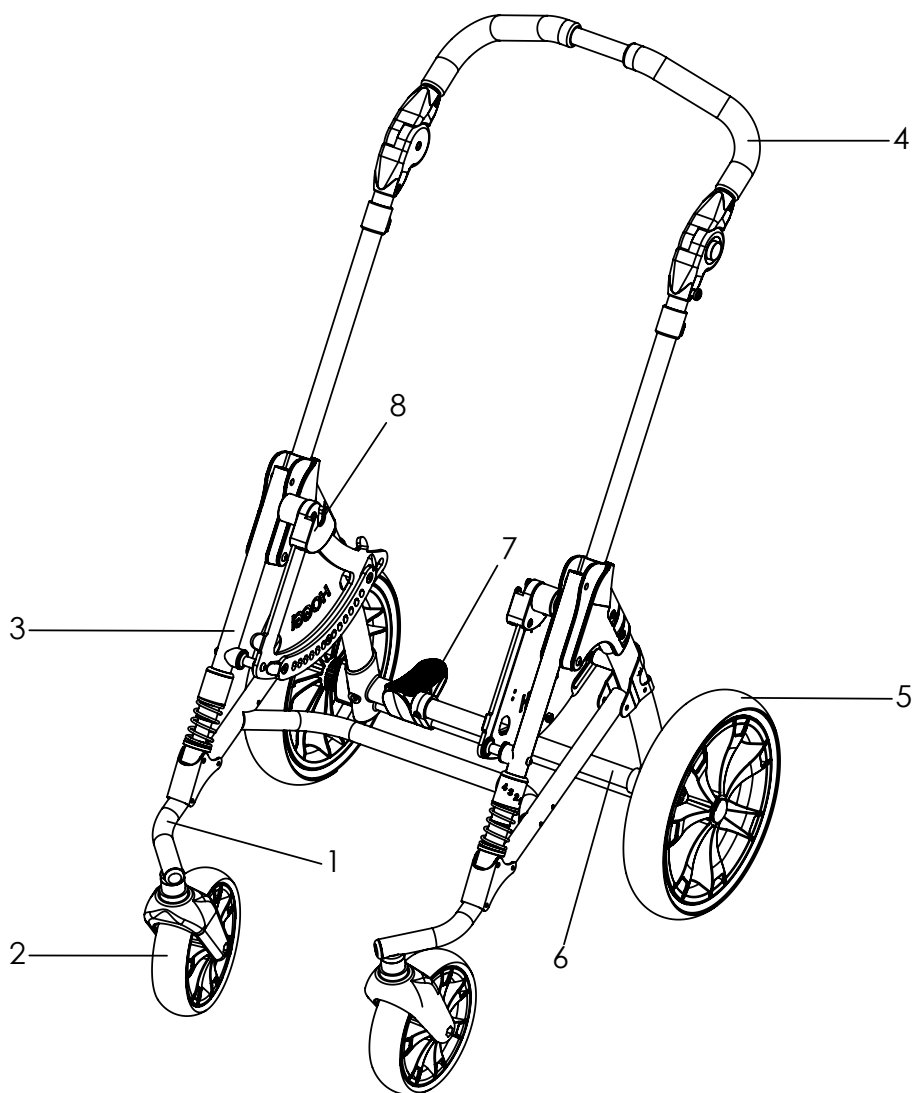
# Mobility base trike



Pos	Article number	Articel description	Page
1-8	<b>3236-1011-032</b> <b>3236-1000-xxx</b> <b>3237-1000-xxx</b>	<b>BINGO-Evolution mobility base Mini, trike</b> <b>BINGO-Evolution mobility base size 1, trike</b> <b>BINGO-Evolution mobility base size 2, trike</b>	
1-3	3236-1100E-xxx 3237-1100E-xxx	Frame size 1 (swivelling front wheels) Frame size 2 (swivelling front wheels)	15
2	12xx-	Front wheel	31
3	3231-1300E-xxx 3231-7400E-xxx	Front bar Frame suspension system	17 18
4	3231-1400E-xxx 3233-1400E-xxx	Push handle size 1 Push handle size 2	22
5	12xx-	Rear wheel	30
6	3231-1200E-xxx 3233-1200E-xxx	Rear frame size 1 Rear frame size 2	20
7	3201-1301E-xxx 3203-1301E-xxx	Brake size 1 Brake size 2	21
8	3231-1510E-xxx 3231-1520E-xxx 3230-1520E-xxx 3230-1520E-xxx	Bearing (seat), left Bearing (seat), right Bearing (seat), Mini left Bearing (seat), Mini right	24 26

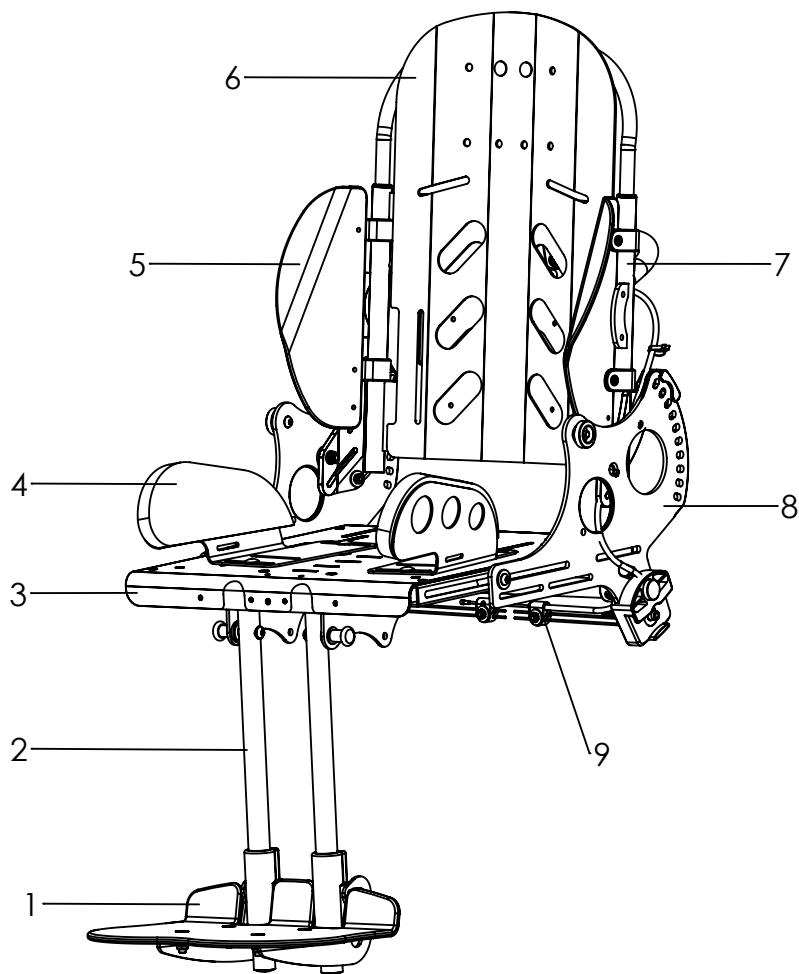


# Mobility base Mini (invert)



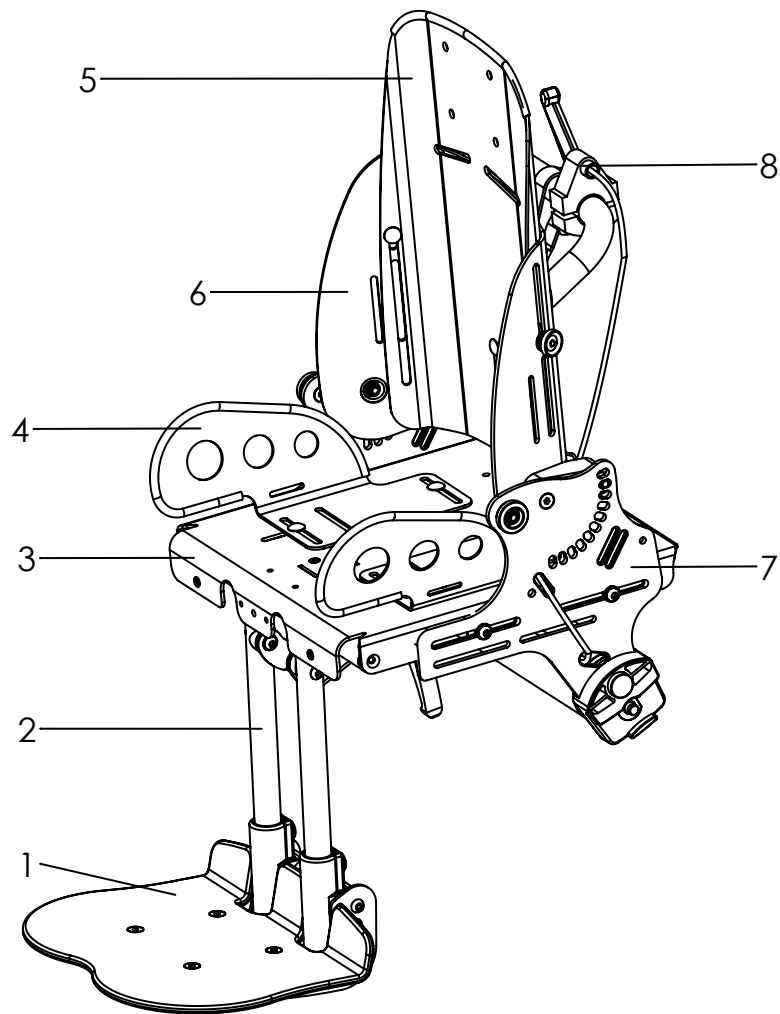
Pos	Article number	Articel description	Page
<b>1-8</b>	<b>3230-1000-032</b>	<b>BINGO-Evolution mobility base Mini (invert), swivelling front wheels</b>	
1	3230-1100E-032	Frame Mini invert (swivelling front wheels)	16
2	12xx-	Front wheel	30
3	3231-7400-032	Front bar	17
	3231-7400E-032	Frame suspension system	18
4	3231-1400-032	Push handle size 1	22
5	12xx-	Rear wheel	30
6	3230-1200-032	Rear frame size 1	20
7	3201-1301-032	Rear frame size 1	21
8	3230-1510-xxx	Bearing (seat), Mini left	26
	3230-1520-xxx	Bearing (seat), Mini right	

# Spare parts



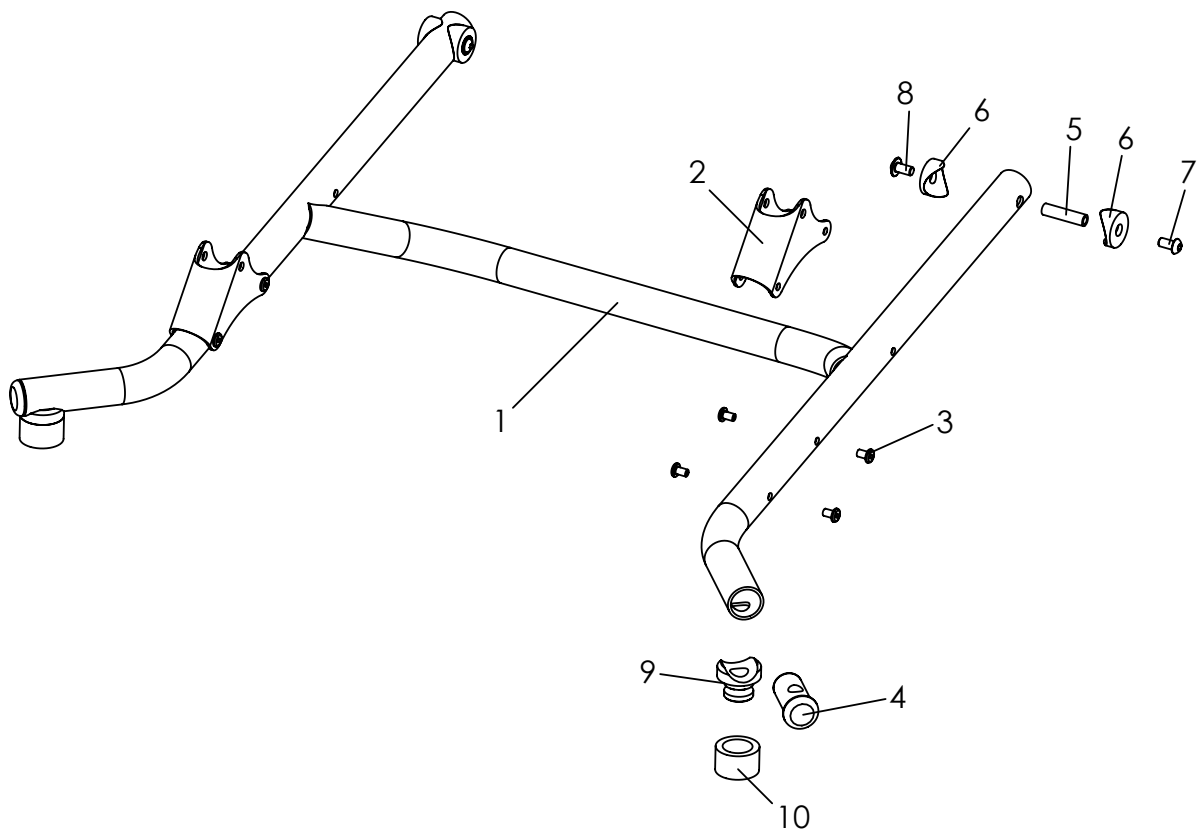
Pos	Article number	Articel description	Page
<b>1-9</b>	<b>3232-2000-xxx</b>	<b>Seat unit size 1</b>	
	<b>3234-2000-xxx</b>	<b>Seat unit size 2</b>	
	<b>3235-2000-xxx</b>	<b>Seat unit size 2XL</b>	
1	323X-2XXXE	Foot board	44
2	323X-2X00E-xxx	Footrest hanger	40
3	323X-2200-xxx	Seat surface	36
4	323X-2900E-xxx	Thigh support	39
	323X-2600E-xxx	Hip support	38
5	323X-27XX	Lateral support	48
6	323X-2800E-xxx	Back insert	49
7	323X-2300E-xxx	Back base	47
8	323X-2100E-xxx	Seat base	33
9	3231-1900E	Tilt mechanism	34

# Spare parts



Pos	Article number	Articel description	Page
<b>1-6</b>	<b>3230-2000-032</b>	<b>Seat unit Mini</b>	
1	323X-2XXXE	Foot board	44
2	3230-2400-xxx	Footrest hanger	43
3	3230-2200E-032	Seat surface	37
4	3230-290X-032	Thigh support	39
	3230-2600E-032	Hip support	38
5	3230-2302-xxx	Back insert	51
6	3230-2301-xxx	Back base	50
7	3230-2100-xxx	Seat base	33
8	3230-1900	Tilt mechanism	35

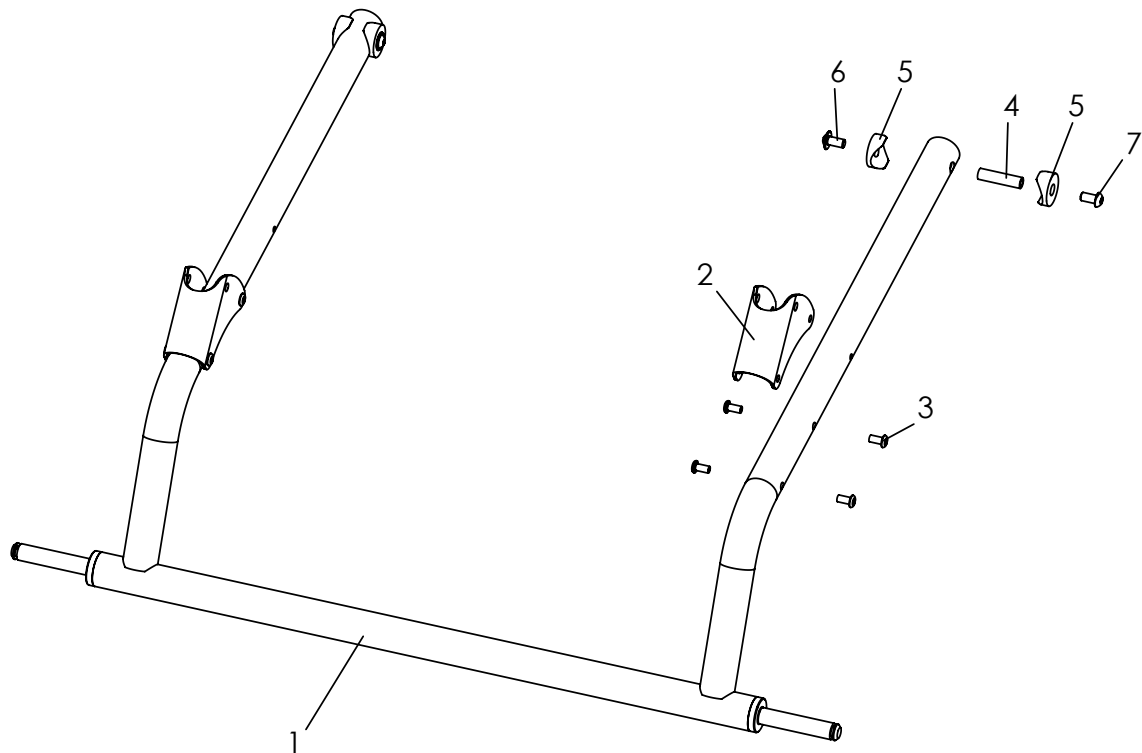
# Spare parts



Pos	Article number	Articel description	Quantity	Unit
<b>1-10</b>	<b>3232-1100E-xxx</b>	<b>Frame size 1 (swivel front wheels)</b>	<b>1</b>	<b>Pc.</b>
	<b>3234-1100E-xxx</b>	<b>Frame size 2 (swivel front wheels)</b>	<b>1</b>	<b>Pc.</b>
1-4	3232-1110E	Frame size 1	1	Pc.
	3234-1110E	Frame size 2	1	Pc.
2	3231-1120	Front strut bearing	2	Pc.
3	1069-0004	Blind rivet F5x10 black	8	Pc.
4	3202-1130	Block	2	Pc.
5	1114-0027	Threaded bushing 8xM6x32	2	Pc.
6	1111-0012	Saddle washer PA black 24x8.4x3	4	Pc.
7*	1029-6001	Button head socket screw, Tufflock M6x12, <b>with frame colour, 024</b>	2	Pc.
	1029-6001-033	Button head socket screw black, Tufflock M6x12, <b>with frame colour, 032</b>	2	Pc.
8	1030-0612	Button head socket screw with flange M6x12	2	Pc.
9	3202-1140	Saddle bushing for front caster	2	Pc.
10	3202-1151	Cover ring	2	Pc.

\* Screw's change with frame colour!

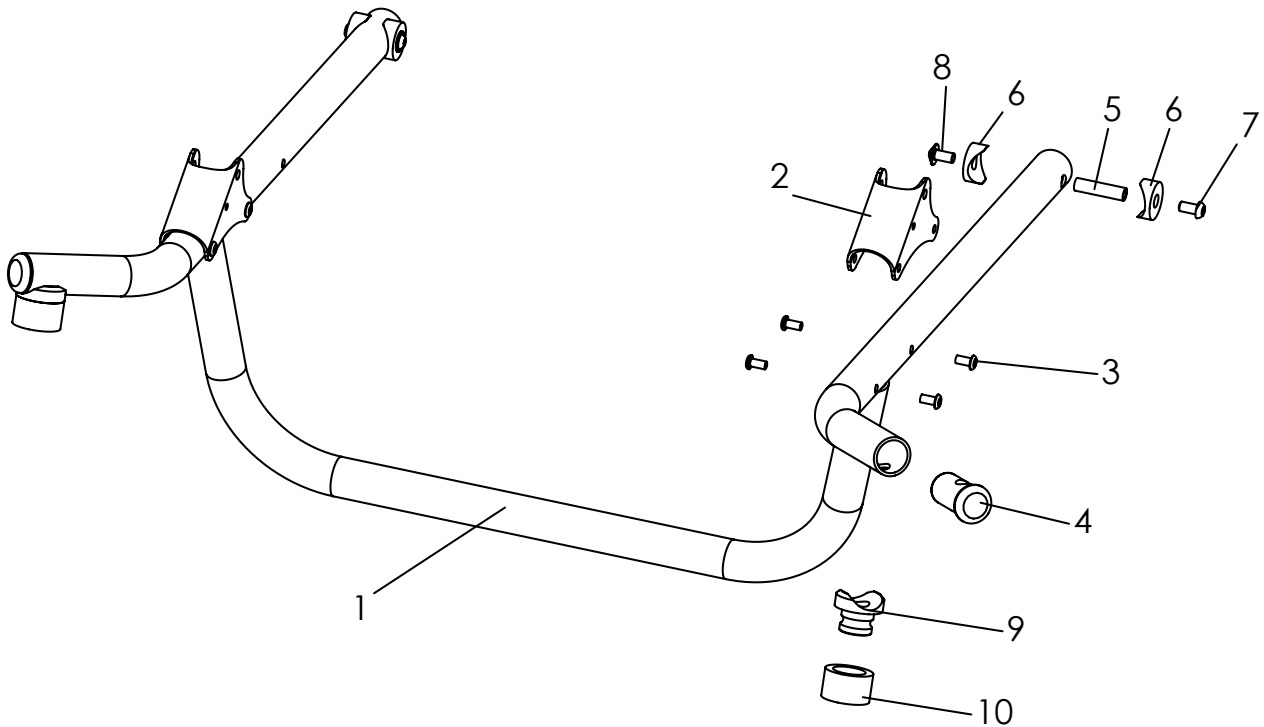
# Spare parts



Pos	Article number	Articel description	Quantity	Unit
<b>1-10</b>	<b>3231-1100E-xxx</b>	<b>Frame size 1 (rigid front wheels)</b>		<b>1 Pc.</b>
	<b>3233-1100E-xxx</b>	<b>Frame size 2 (rigid front wheels)</b>		<b>1 Pc.</b>
1-3	3231-1110E-xxx	Frame size 1 (rigid front wheels)		1 Pc.
	3233-1110E-xxx	Frame size 2 (rigid front wheels)		1 Pc.
2	3231-1120-xxx	Front strut bearing		2 Pc.
3	1069-0004	Blind rivet F5x10 black		8 Pc.
4	1114-0027	Threaded bushing 8xM6x32		2 Pc.
5	1111-0012	Saddle washer PA black 24x8.4x3		4 Pc.
6	1030-0612	Button head socket screw with flange M6x12		2 Pc.
7*	1029-6001	Button head socket screw, Tufflock M6x12, <b>with frame colour, 024</b>		2 Pc.
	1029-6001-033	Buttonheadsocketscrew black, Tufflock M6x12, <b>with frame colour, 032</b>		2 Pc.

\* Screw`s change with frame colour!

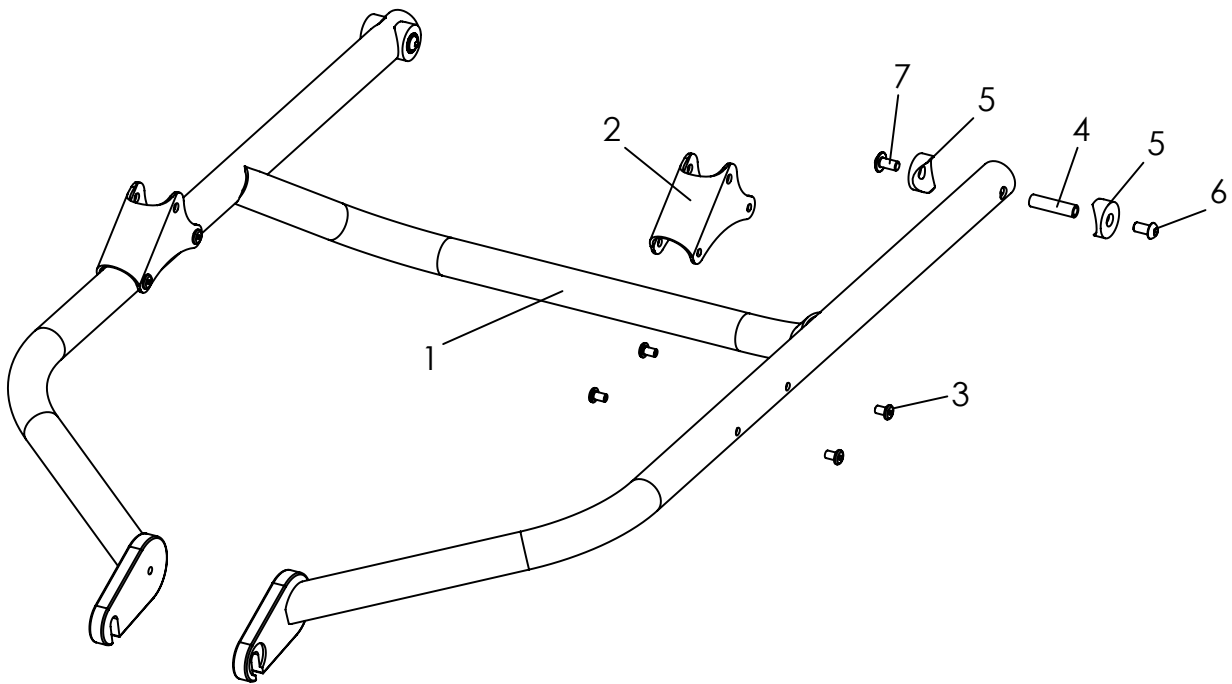
# Spare parts



Pos	Article number	Articel description	Quantity	Unit
<b>1-10</b>	<b>3238-1100E-xxx</b>	<b>Front frame for additional equipment size 1, complete</b>	<b>1</b>	<b>Pc.</b>
	<b>3239-1100E-xxx</b>	<b>Front frame for additional equipment size 2, complete</b>	<b>1</b>	<b>Pc.</b>
1-4	3238-1110E-xxx	Front frame for additional equipment size 1	1	Pc.
	3239-1110E-xxx	Front frame for additional equipment size 2	1	Pc.
2	3231-1120	Front strut bearing	2	Pc.
3	1069-0004	Blind rivet F5x10 black	8	Pc.
	3202-1130	Block	2	Pc.
5	1114-0027	Threaded bushing 8xM6x32	2	Pc.
6	1111-0012	Saddle washer PA black 24x8.4x3	4	Pc.
7*	1029-6001	Button head socket screw, Tufflock M6x12, <b>with frame colour, 024</b>	2	Pc.
	1029-6001-033	Buttonheadsocketscrew black, Tufflock M6x12, <b>with frame colour, 032</b>	2	Pc.
8	1030-0612	Button head socket screw with flange M6x12	2	Pc.
9	3202-1140	Saddle bushing for front caster	2	Pc.
10	3202-1151	Cover ring	2	Pc.

\* Screw's change with frame colour!

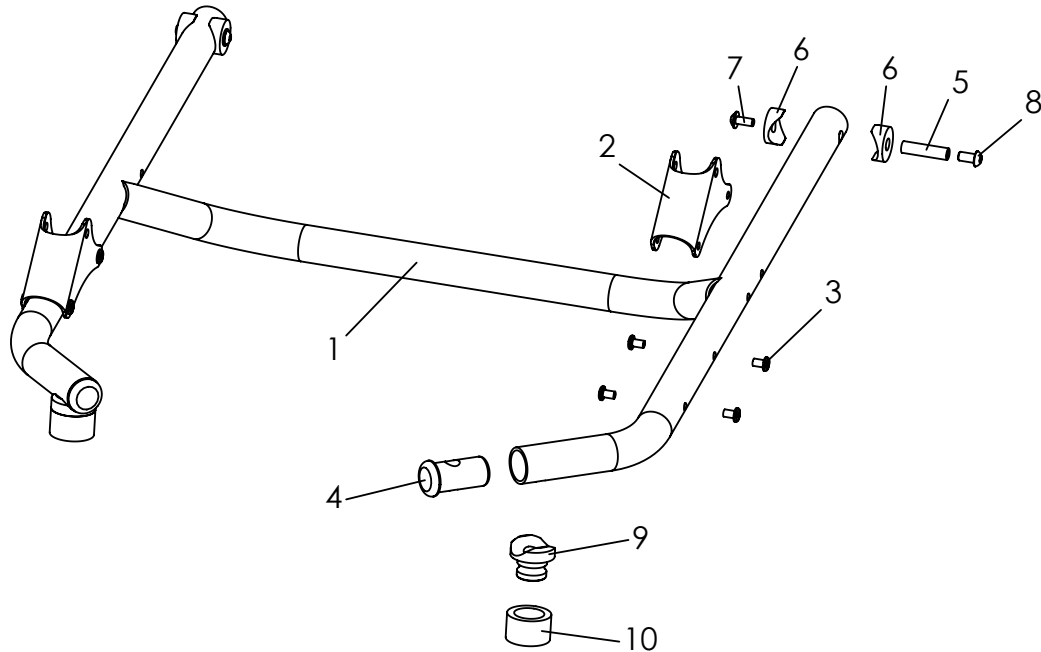
# Spare parts



Pos	Article number	Articel description	Quantity	Unit
1-7	3236-1100E-xxx	<b>Trike-Frame size 1, complete</b>	1	Pc.
	3237-1100E-xxx	<b>Trike-Frame size 2, complete</b>	1	Pc.
1-3	3236-1110E-xxx	Trike-Frame size 1	1	Pc.
	3237-1110E-xxx	Trike-Frame size 2	1	Pc.
2	3231-1120	Front strut bearing	2	Pc.
3	1069-0004	Blind rivet F5x10 black	8	Pc.
4	1114-0027	Threaded bushing 8xM6x32	2	Pc.
5	1111-0012	Saddle washer PA black 24x8.4x3	4	Pc.
6*	1029-0612	Button head socket screw, Tufflock M6x12, <b>with frame colour, 024</b>	2	Pc.
	1029-0612-033	Buttonheadsocketscrew black, Tufflock M6x12, <b>with frame colour, 032</b>	2	Pc.
7	1030-0612	Button head socket screw with flange, M6x12	2	Pc.

\* Screw`s change with frame colour!

# Spare parts

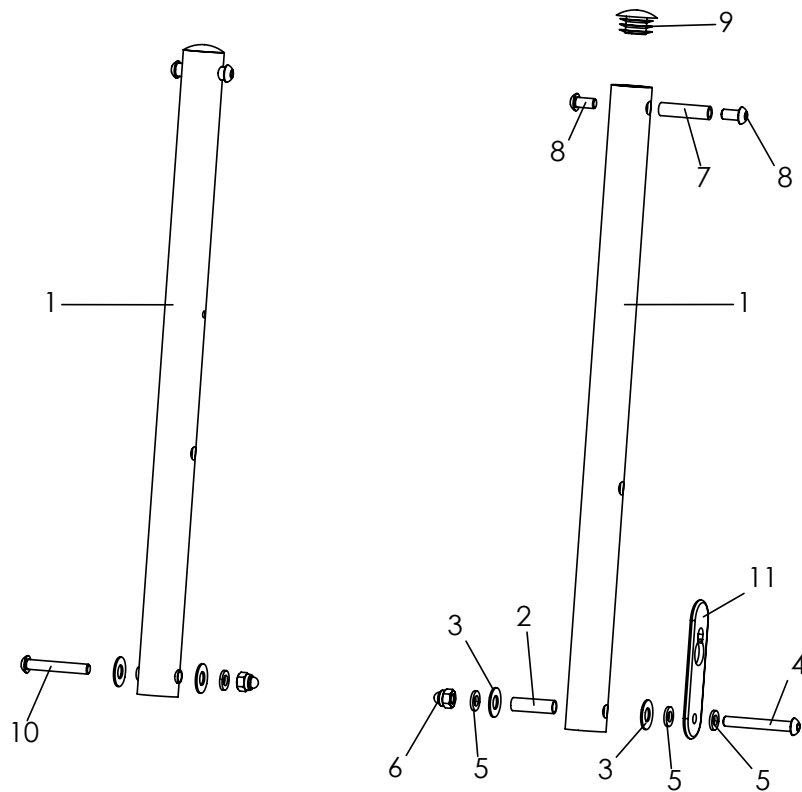


Pos	Article number	Articel description	Quantity	Unit
<b>1-10</b>	<b>3230-1100E-032</b>	<b>Frame Mini (swivel front wheels)</b>	<b>1</b>	<b>Pc.</b>
1-4	3230-1110E-032	Frame Mini (swivel front wheels)	1	Pc.
2	3231-1120	Front strut bearing	2	Pc.
3	1069-0004	Blind rivet F5x10 black	8	Pc.
4	3202-1130	Block	2	Pc.
5	1114-0027	Threaded bushing 8xM6x32	2	Pc.
6	1111-0012	Saddle washer PA black 24x8.4x3	4	Pc.
7	1029-0612	Button head socket screw with flange M6x12	2	Pc.
8*	1029-6001	Button head socket screw, Tufflock M6x12, <b>with frame colour, 024</b>	2	Pc.
	1029-6001-033	Buttonheadsocketscrew black, Tufflock M6x12, <b>with frame colour, 032</b>	2	Pc.
9	3202-1140	Saddle bushing for front caster	2	Pc.
10	3202-1151	Cover ring	2	Pc.

\* Screw's change with frame colour!



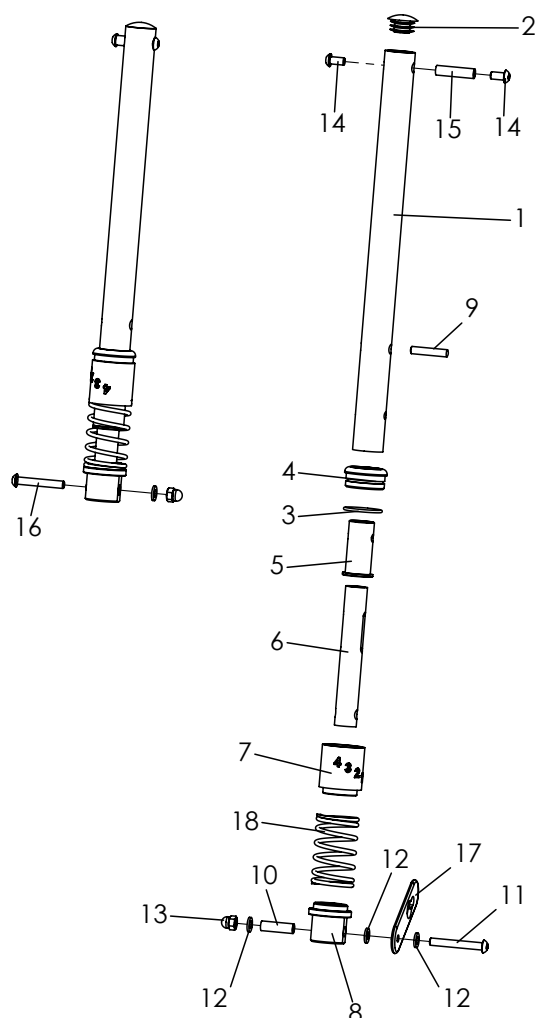
# Spare parts



Pos	Article number	Articel description	Quantity	Unit
<b>1-10</b>	<b>3231-1300E-xxx</b>	<b>Front bar, complete</b>	<b>1</b>	<b>Pair</b>
1	3231-1310-xxx	Front bar	2	Pc.
2	1114-0025	Bushing zp 8x0,8x27	2	Pc.
3	1113-0003	Washer PA 18x8,4x1 black	4	Pc.
4	1029-0645	Button head socket screw M6x45	2	Pc.
5	1051-0006	Washer A6,4	4	Pc.
6	1044-0006	Hexagonal domed cap nut self-locking M6	2	Pc.
7	1114-0027	Threaded bushing 8xM6x32	2	Pc.
8*	1029-0612	Button head socket screw, Tufflock M6x12, <b>with frame colour, 024</b>	4	Pc.
	1029-0612-033	Buttonheadsocketscrew black, Tufflock M6x12, <b>with frame colour, 032</b>	4	Pc.
9	1141-0009	Ribbed insert SFL 25x1-2,5	2	Pc.
10*	1029-0640	Button head socket screw, Tufflock M6x40, <b>with frame colour, 024</b>	1	Pc.
	1029-0640-033	Buttonheadsocketscrew black, Tufflock M6x40, <b>with frame colour, 032</b>	1	Pc.
11	3231-1431	Catch strap, left bar.	1	Pc.
	3235-1431	With size 2XL use <b>catch strap long</b> .	1	Pc.

\* Screw's change with frame colour!

# Spare parts

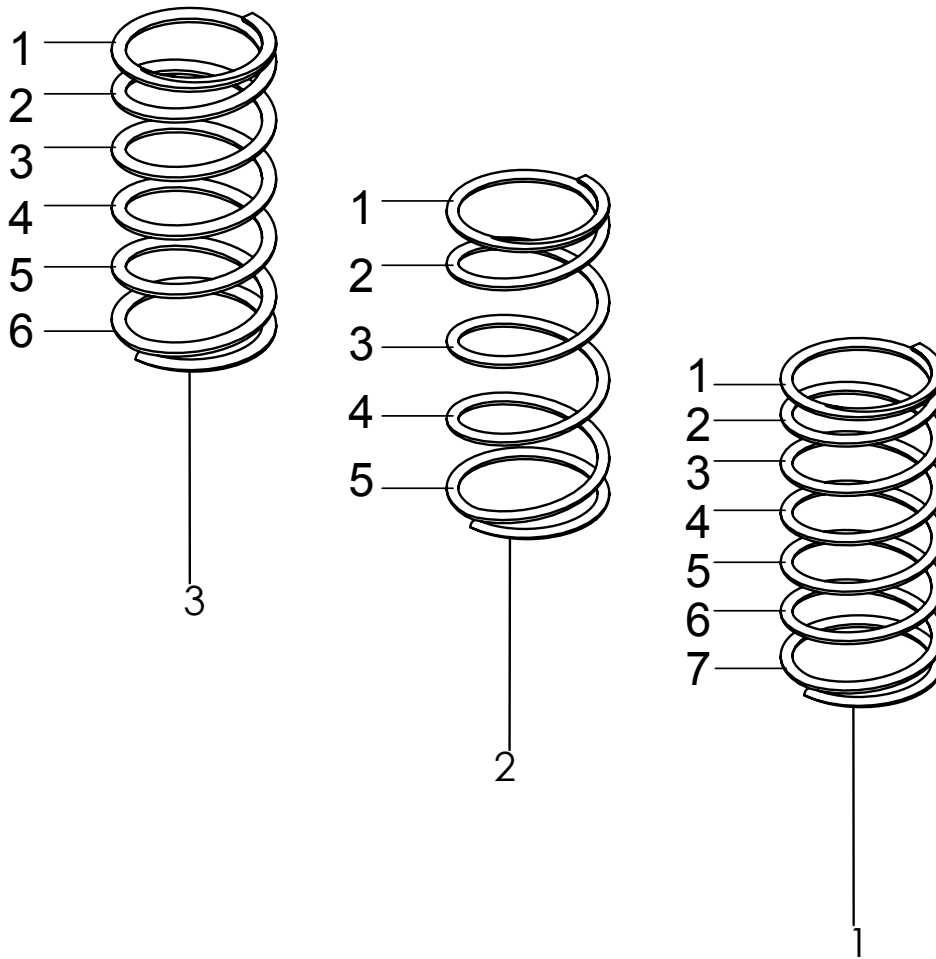


Pos	Article number	Articel description	Quantity	Unit
<b>1-16</b>	<b>3231-7400E-xxx</b>	<b>Frame suspension system, fourfold adjustable, complete</b>	<b>1</b>	<b>Set</b>
1	3231-7431-xxx	Front suspension bar	2	Pc.
2	1141-0009	Ribbed insert SFL 25x1-2,5	2	Pc.
3	1150-0012	O-Ring NBR 70 DIN/ISO 3771 28x2	2	Pc.
4	3231-7436	End bushing	2	Pc.
5	3231-7435	Guiding bushing, suspension	2	Pc.
6	3231-7433-006	Guide tube suspension anodised	2	Pc.
7	3231-7434	Spring hanger (at the top)	2	Pc.
8	3231-7432	Spring hanger (at the bottom)	2	Pc.
9	1071-0630	Parallel pin DIN/ISO 7 6 m6x30	2	Pc.
10	1114-0025	Bushing zp 8x0,8x27	2	Pc.
11	1029-0645	Button head socket screw M6x45	1	Pc.
12	1051-0006	Washer A6,4	4	Pc.
13	1044-0006	Hexagonal domed cap nut self-locking M6	2	Pc.
14*	1029-0612	Button head socket screw, Tufflock M6x12, <b>with frame colour, 024</b>	4	Pc.
	1029-0612-033	Buttonheadsocketscrew black, Tufflock M6x12, <b>with frame colour, 032</b>	4	Pc.
15	1114-0027	Threaded bushing 8xM6x32	2	Pc.
16*	1029-0640	Button head socket screw, Tufflock M6x40, <b>with frame colour, 024</b>	1	Pc.
	1029-0640-033	Buttonheadsocketscrew black, Tufflock M6x40, <b>with frame colour, 032</b>	1	Pc.
17	3231-1431	Catch strap	1	Pc.
	3235-1431	Catch strap 2XL	1	Pc.
18	1331-901X	Coil spring	1	Pc.

*For the corect spring please see next page!*

*\* Screw's change with frame colour!*

# Spare parts



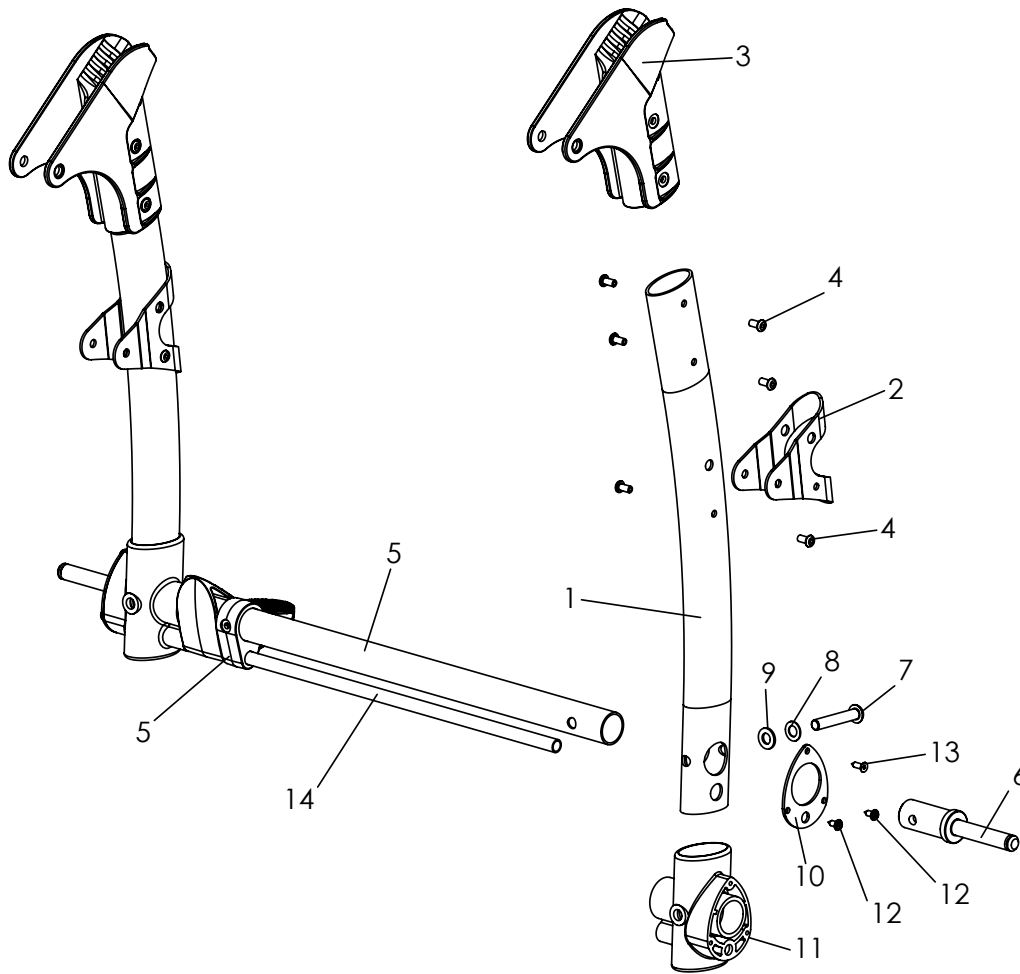
Pos	Article number	Articel description	Quantity	Unit
1	1131-9017E-022	Spring set for load up to 15kg, standard color, signal white	1	Set
	1131-9017E-xxx	Spring set for load up to 15kg, colour code for upholstery	1	Set
2	1131-9018E-022	Spring set for load up to 25kg, standard color, signal white	1	Set
	1131-9018E-xxx	Spring set for load up to 25kg, colour code for upholstery	1	Set
3	1131-9019E-022	Spring set for load from 25kg, standard color, signal white	1	Set
	1131-9019E-xxx	Spring set for load from 25kg, colour code for upholstery	1	Set

With order replace **xxx** with colour code!

338	339	340	344	345
sand / irongrey	turquoise / irongrey	pink / irongrey	black diamond / irongrey	red / irongrey

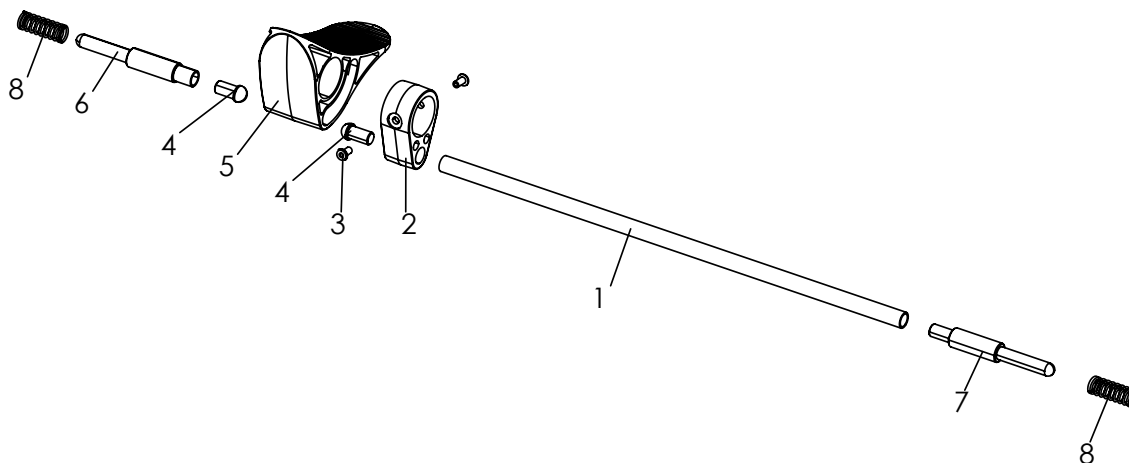
1131-9018E-yellow	Spring set for load up to 25kg, yellow	1	Set
1131-9019E-red	Spring set for load from 25kg, red	1	Set

# Spare parts



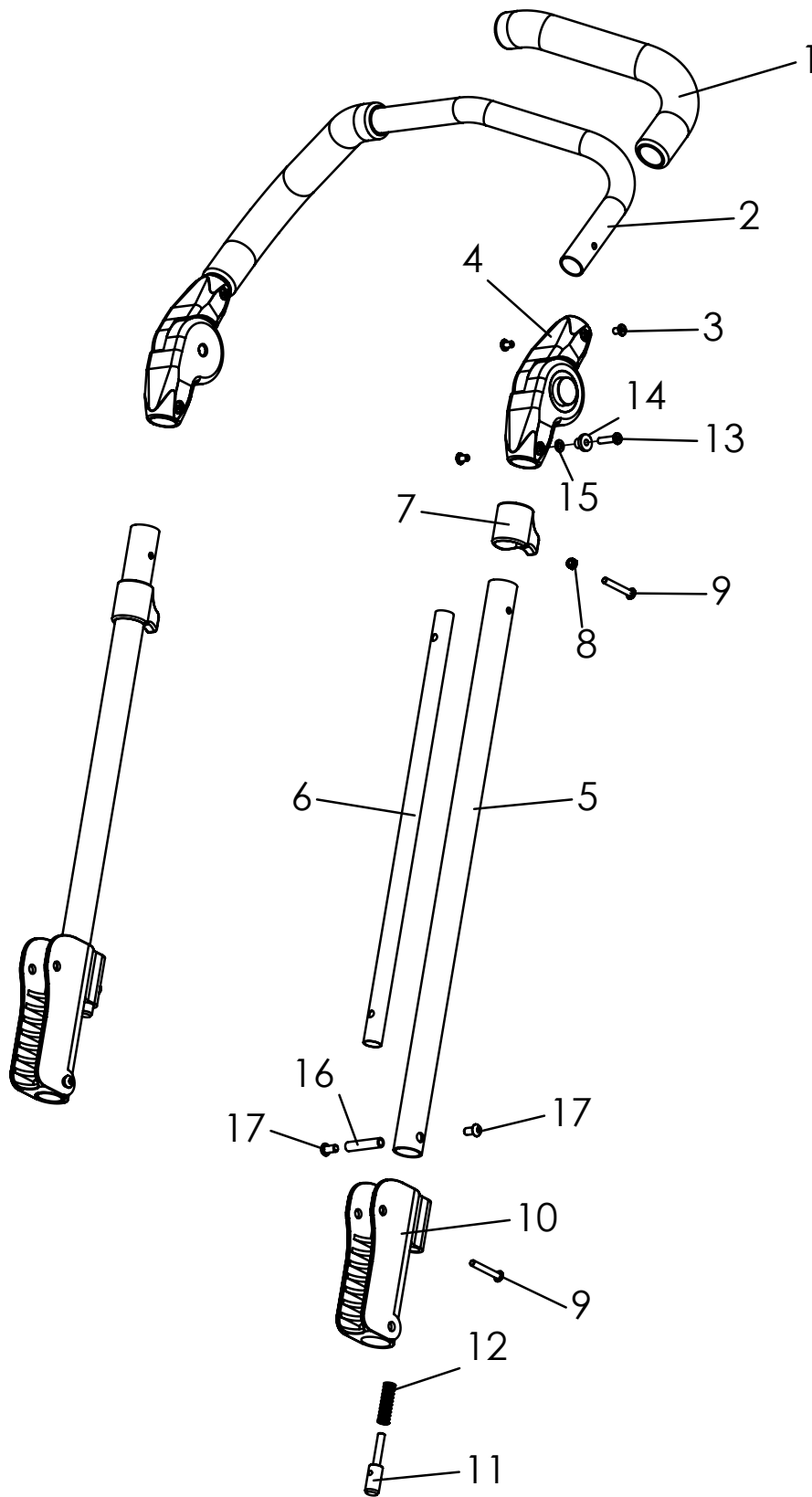
Pos	Article number	Articel description	Quantity	Unit
<b>1-13</b>	<b>3231-1200E-xxx</b>	<b>Rear frame, Gr. 1, komplett</b>	<b>1</b>	<b>Pc.</b>
	<b>3233-1200E-xxx</b>	<b>Rear frame, Gr. 2, komplett</b>	<b>1</b>	<b>Pc.</b>
1-4	3231-1211E-xxx	Side bar rear, incl. joint bandage	2	Pc.
1	3231-1211-xxx	Side bar rear, incl. joint bandage	2	Pc.
2	3231-1212-xxx	Joint bandage	2	Pc.
3	3231-1213	Rear frame hinge	2	Pc.
4	1069-0004	Blind rivet F4,8x10 black	12	Pc.
5	3201-1220E-xxx	Axle tube size 1, with mounted brake rod retainer	1	Pc.
	3203-1220E-xxx	Axle tube size 2, with mounted brake rod retainer	1	Pc.
*6	3201-1240	Axle stump	2	Pc.
7	1029-0845	Button head socket screw M8x45	2	Pc.
8	1052-0008	Spring washer B8	2	Pc.
9	1051-0008	Washer A8,4	2	Pc.
<b>10-12</b>	<b>3201-1280E</b>	<b>Connector with fasteners</b>	<b>2</b>	<b>Pc.</b>
10	3201-1281	Stabilizer	2	Pc.
11	3201-1280	Connector	2	Pc.
12	1039-0001	Screw for plastic, cross rcessed pan head w. flange 4x10	2	Pc.
13	1039-0006	Tapping screw with countersunk head	1	Pc.
14	3201-1301-xxx	Break, see next page!	1	Pc.
*6-9	3201-1240E	Axle stump as spare part	1	Pc.

# Spare parts



Pos	Article number	Articel description	Quantity	Unit
<b>1-8</b>	<b>3201-1300E-xxx</b>	<b>Break size 1, complete</b>	<b>1</b>	<b>Pc.</b>
	<b>3203-1300E-xxx</b>	<b>Break size 2, complete</b>	<b>1</b>	<b>Pc.</b>
1	3201-1311-xxx	Break rod DURO size 1	1	Pc.
	3203-1311-xxx	Break rod DURO size 2	1	Pc.
2	3201-1320	Wheel lock rod retainer	1	Pc.
3	1062-0408	Blind rivet F4x8	2	Pc.
4	3201-1340	Slide insert	2	Pc.
5	3201-1310	Wheel lock lever	1	Pc.
6	3201-1360	Lock pin, right	1	Pc.
7	3201-1350	Lock pin left	1	Pc.
8	1131-0034	Compression spring D-180Q	2	Pc.

# Spare parts

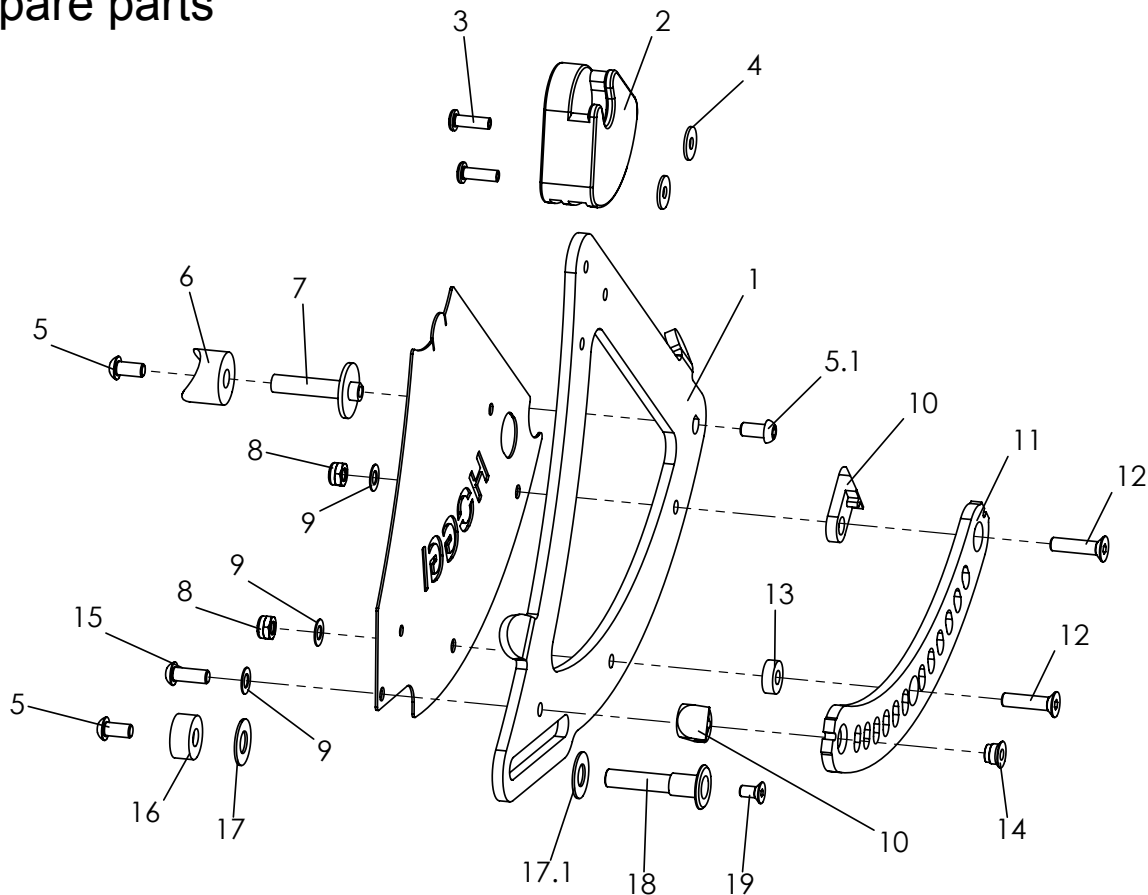


# Spare parts

Pos	Article number	Articel description	Quantity	Unit
1-17	<b>3231-1400E-xxx</b>	<b>Push bar size 1</b>	<b>1</b>	<b>Pc.</b>
	<b>3233-1400E-xxx</b>	<b>Push bar size 2</b>	<b>1</b>	<b>Pc.</b>
	<b>3235-1400E-xxx</b>	<b>Push bar size 2XL</b>	<b>1</b>	<b>Pc.</b>
1	1143-0001	Handle grip, black	2	Pc.
2-3	3201-1420E-xxx	Upper part push handle size 1, with fastemers	1	Pc.
	3203-1420E-xxx	Upper part push handle size 2, with fastemers	1	Pc.
	3233-1420Exxx	Upper part push handle size 2XL, with fastemers	1	Pc.
2	3201-1420-xxx	Push bar size 1	1	Pc.
	3203-1420-xxx	Push bar size 2	1	Pc.
	3233-1421-xxx	Push bar size 2 XL	1	Pc.
3*	1069-0003	Blind rivet F5x8 black, <b>with frame colour 032</b>	7	Pc.
	1062-0508	Blind rivet F5x8 silver, <b>with frame colour 024</b>	7	Pc.
4	1129-0009	Ratchet joint 25x22	1	Pair
5	3231-1412-xxx	Push bar bottom part size 1 and 2	2	Pc.
	3235-1414-xxx	Push bar bottom part size 2 XL	2	Pc.
6	3231-1415	Guide rail size 1 and 2	2	Pc.
	3235-1415	Guide rail size 3	2	Pc.
7	3231-1414	Activator	2	Pc.
8	1042-0005	Hexagon nut self-locking zp DIN/ISO 985 M5	2	Pc.
9	1034-0535	Torxscrew M5x35	4	Pc.
10	3231-1411	Push handle joint	2	Pc.
11	3231-1413	Folding-security bolt	2	Pc.
12	1131-0043	Compression spring D-143F	2	Pc.
13	1062-0520	Blind rivet F5x20	1	Pc.
14	3231-1432	Shoulder bushing black	1	Pc.
15	1051-0005	Washer A5,3	1	Pc.
16	1114-0028	Threaded bushing 8xM6x38	2	Pc.
17*	1029-0612	Button head socket screw, Tufflock M6x12, <b>with frame colour, 024</b>	4	Pc.
	1029-0612-033	Buttonheadsocketscrew black, Tufflock M6x12, <b>with frame colour, 032</b>	4	Pc.

\* Screw`s and rivet`s change with frame colour!

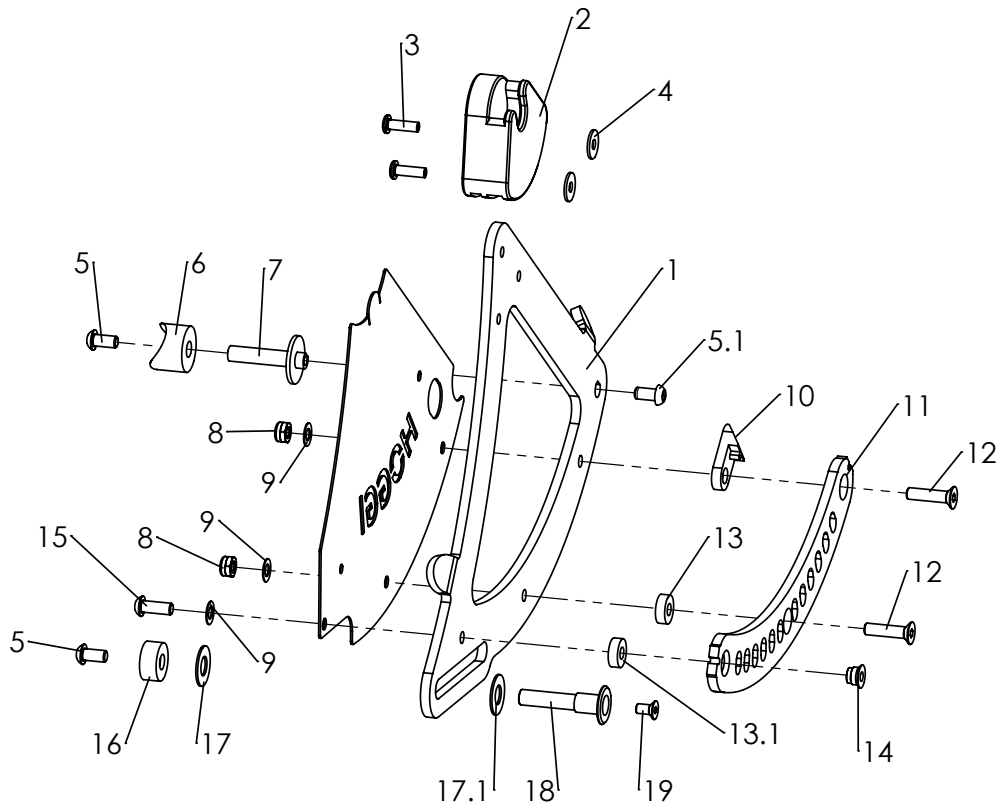
# Spare parts



Pos	Article number	Articel description	Quantity	Unit
<b>1-17</b>	<b>3231-1510E-xxx</b>	<b>Seat Bearing left size 1 and 2, complete, displayed</b>	<b>1</b>	<b>Pc.</b>
	<b>3231-1520E-xxx</b>	<b>Seat Bearing right size 1 and 2, complete</b>	<b>1</b>	<b>Pc.</b>
1-4	3231-1511E-xxx	Seat Bearing left, with fasteners	1	Pc.
	3231-1512E-xxx	Seat Bearing right, with fasteners	1	Pc.
1	3231-1511	Seat Bearing left	1	Pc.
	3231-1512	Seat Bearing right	1	Pc.
2	3231-1516	Scanteling bearing	1	Pc.
3	1062-0516	Blind rivet F5x16	2	Pc.
4	1055-0005	Washer A5,3	2	Pc.
5*	1029-0612	Button head socket screw silver M6x12 for frame colour 024	2	Pc.
	1029-0612-033	Button head socket screw black M6x12, for frame colour 032	2	Pc.
5.1*	1029-6001	Button head socket screw silver with lock, M6x12, for frame colour 024	1	Pc.
	1029-6001-033	Button head socket screw black with lock, M6x12, for frame colour 032	1	Pc.
6	1111-0013	Saddle washer PA black 24x8.4x10	1	Pc.
7	3231-1515	Bearing shaft	1	Pc.
8	1042-0006-033	Hexagon nut self-locking, black M6	2	Pc.
9	1052-0006-033	Spring washer black B6	3	Pc.
10	3231-1514	Latch ramp	2	Pc.
11	3231-1525-006	Scantling rail left	1	Pc.
	3231-1526-006	Scantling rail right	1	Pc.
12	1024-0625-033	Hexagon socket countersunk head screw black M6x25	2	Pc.
13	1113-0051	Spacer 15x6,4x5	1	Pc.
14	3231-1527	Threded insert	1	Pc.
15	1029-0616-033	Button head socket screw black M6x16	1	Pc.
16	3231-1518	Distance bearing	1	Pc.
17	1113-0056	Washer PA natural 10,5x21,0x0,8	1	Pc.
17.1	1113-0068	Washer PA natural 10,0x18,0x0,8	1	Pc.
18	3231-1517	Gudie shaft seat bearing	1	Pc.
19	1024-0510	Hexagon socket countersunk head screw M5x10	1	Pc.

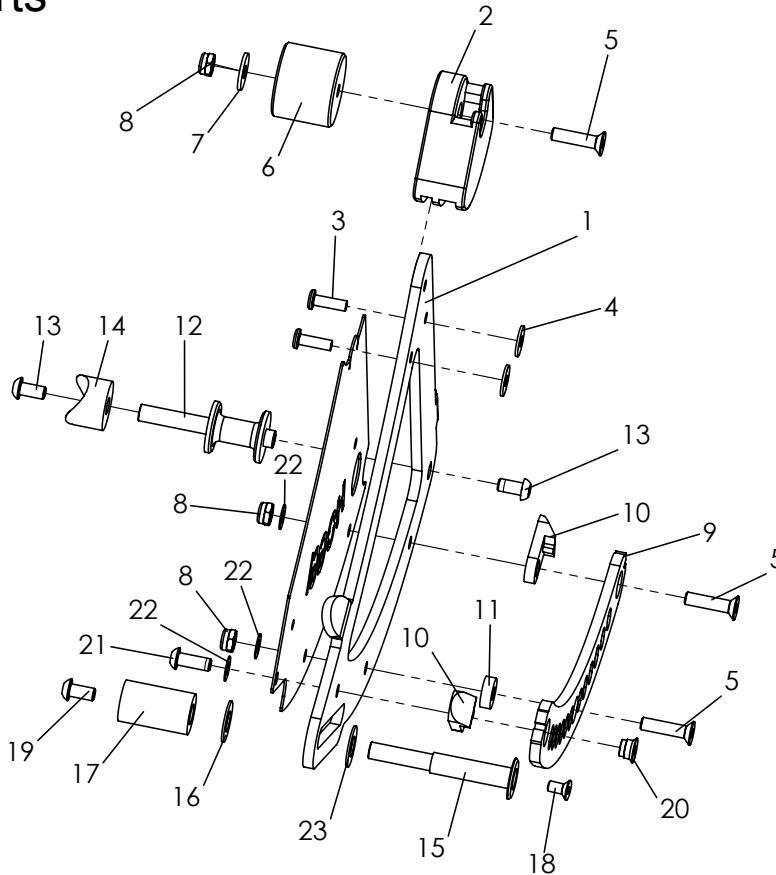


# Spare parts



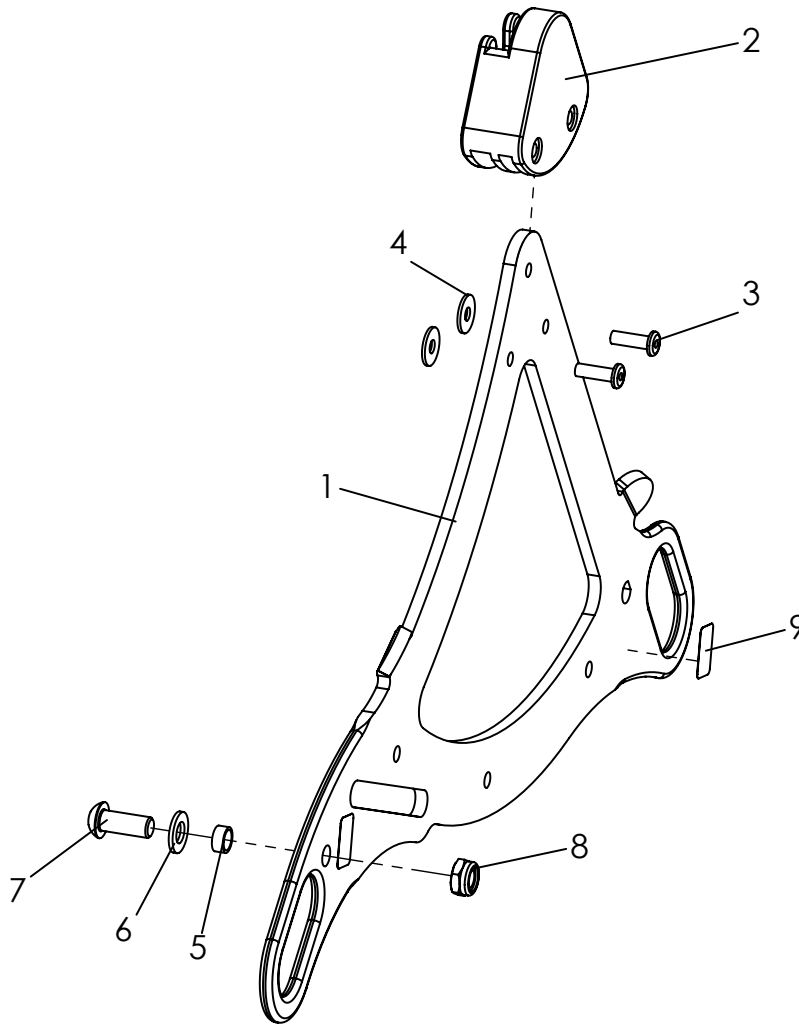
Pos	Article number	Articel description	Quantity	Unit
<b>1-17</b>	<b>3231-1510E-xxx</b>	<b>Seat Bearing left, complete, displayed only for size 2XL</b>	<b>1</b>	<b>Pc.</b>
	<b>3231-1520E-xxx</b>	<b>Seat Bearing right, complete, only for size 2XL</b>	<b>1</b>	<b>Pc.</b>
1-4	3231-1511E-xxx	Seat Bearing left, with fasteners	1	Pc.
	3231-1512E-xxx	Seat Bearing right, with fasteners	1	Pc.
1	3231-1511-xxx	Seat Bearing left	1	Pc.
	3231-1512-xxx	Seat Bearing right	1	Pc.
2	3231-1516	Scanteling bearing	1	Pc.
3	1062-0516	Blind rivet F5x16	2	Pc.
4	1055-0005	Washer A5,3	2	Pc.
5*	1029-0612	Button head socket screw silver M6x12 for frame colour 024	2	Pc.
	1029-0612-033	Button head socket screw black M6x12, for frame colour 032	2	Pc.
5.1*	1029-6001	Button head socket screw silver with lock, M6x12, for frame colour 024	1	Pc.
	1029-6001-033	Button head socket screw black with lock, M6x12, for frame colour 032	1	Pc.
6	1111-0013	Saddle washer PA black 24x8.4x10	1	Pc.
7	3231-1515	Bearing shaft	1	Pc.
8	1042-0006-033	Hexagon nut self-locking, black M6	2	Pc.
9	1052-0006-033	Spring washer black B6	3	Pc.
10	3231-1514	Latch ramp	2	Pc.
11	3231-1525-006	Scantling rail left	1	Pc.
	3231-1526-006	Scantling rail right	1	Pc.
12	1024-0625-033	Hexagon socket countersunk head screw black M6x25	2	Pc.
13	1113-0051	Spacer 15x6,4x5	1	Pc.
13.1	1113-0031	Spacer 8,4x15x5	1	Pc.
14	3231-1527	Threded insert	1	Pc.
15	1029-0616-033	Button head socket screw black M6x16	1	Pc.
16	3231-1518	Distance bearing	1	Pc.
17	1113-0056	Washer PA natural 10,5x21,0x0,8	1	Pc.
17.1	1113-0068	Washer PA natural 10,0x18,0x0,8	1	Pc.
18	3231-1517	Gudie shaft seat bearing	1	Pc.

# Spare parts



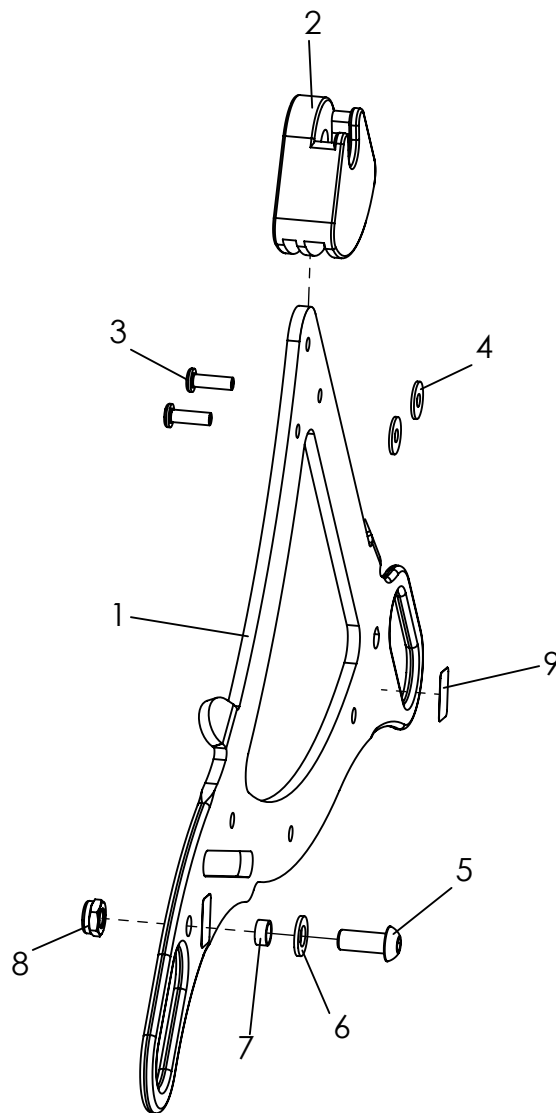
Pos	Article number	Articel description	Quantity	Unit
<b>1-23</b>	<b>3230-1510E-032</b>	<b>Seat Bearing left, complete, displayed only for Mini</b>	<b>1</b>	<b>Pc.</b>
	<b>3230-1520E-032</b>	<b>Seat Bearing right, complete, only for Mini</b>	<b>2</b>	<b>Pc.</b>
1-4	3230-1511E-032	Seat Bearing Mini left, with fasteners	1	Pc.
	3230-1512E-032	Seat Bearing Mini right, with fasteners	1	Pc.
1	3230-1511-032	Seat bearing, links	1	Pc.
	3230-1512-032	Seat bearing, rechts	1	Pc.
2	3230-1516	Scantlings bearing Mini	1	Pc.
3	1062-0516	Blind rivet F5x16	2	Pc.
4	1055-0005	Washer A5,3	2	Pc.
5	1024-0625-033	Hexagon socket countersunk head screw black M6x25	3	Pc.
6	3230-1519	Distance piece for Mini	1	Pc.
7	1055-0006	Washer A6,4	1	Pc.
8	1042-0006-033	Hexagon nut self-locking black M6	3	Pc.
9	3231-1525-006	Scantling rail left	1	Pc.
	3231-1526-006	Scantling rail right	1	Pc.
10	3231-1514	Latch ramp	2	Pc.
11	1113-0051	Spacer PA 6,4x15x5	1	Pc.
12	3230-1515-033	Bearing shaft mini black	1	Pc.
13	1029-6001	Button head socket screw,Tufflock M6x12	2	Pc.
14	1111-0013	Saddle washer PA black 24x8.4x10	1	Pc.
15	3230-1517-008	Guided shaft seat bearing for Mini	1	Pc.
16	1113-0056	Washer PA natural 10,5x21,0x0,8 mm	1	Pc.
17	3230-1518-007	Distance piece, Guided shaft for Mini	1	Pc.
18	1024-0510	Hexagon socket countersunk head screw M5x10	1	Pc.
19	1029-0612	Button head socket screw M6x12	1	Pc.
20	3231-1527	Threaded insert	1	Pc.
21	1029-0616-033	Button head socket screw black M6x16	1	Pc.
22	1052-0006-033	Spring washer black B 6	3	Pc.
23	1113-0068	Washer PA natural 10,0x18,0x0,8	1	Pc.

# Spare parts



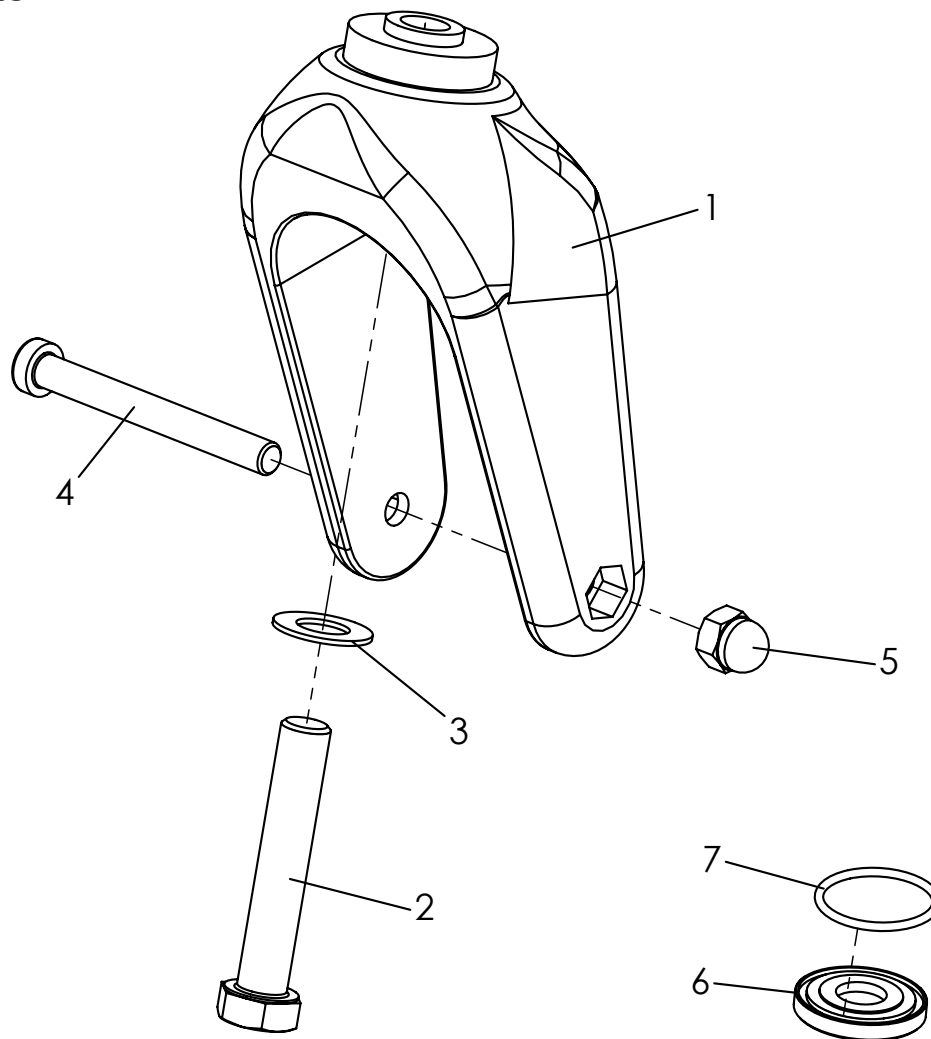
Pos	Article number	Articel description	Quantity	Unit
<b>1-9</b>	<b>3231-7300E-xxx</b>	<b>Tie down kit</b>	<b>1</b>	<b>Set</b>
1-4	3231-7311E-xxx	Seat bearing plate with lashing eyes, right	1	Pc.
	3231-7312E-xxx	Seat bearing plate with lashing eyes, left	1	Pc.
2	3231-1516	Scantlings bearing Mini	2	Pc.
3	1062-0516	Blind rivet F5x16	4	Pc.
4	1055-0005	Washer A5,3	4	Pc.
5	3201-7350	Slide bushing	2	Pc.
6	1051-0008	Washer A8,4	2	Pc.
7	1029-0820	Button head socket screw M8x20	2	Pc.
8	1042-0008	Hexagon nut self-locking M8	2	Pc.
9	1914-0007	Adhesive lable with hook symbol (4 pcs.)	1	Pc.

# Spare parts



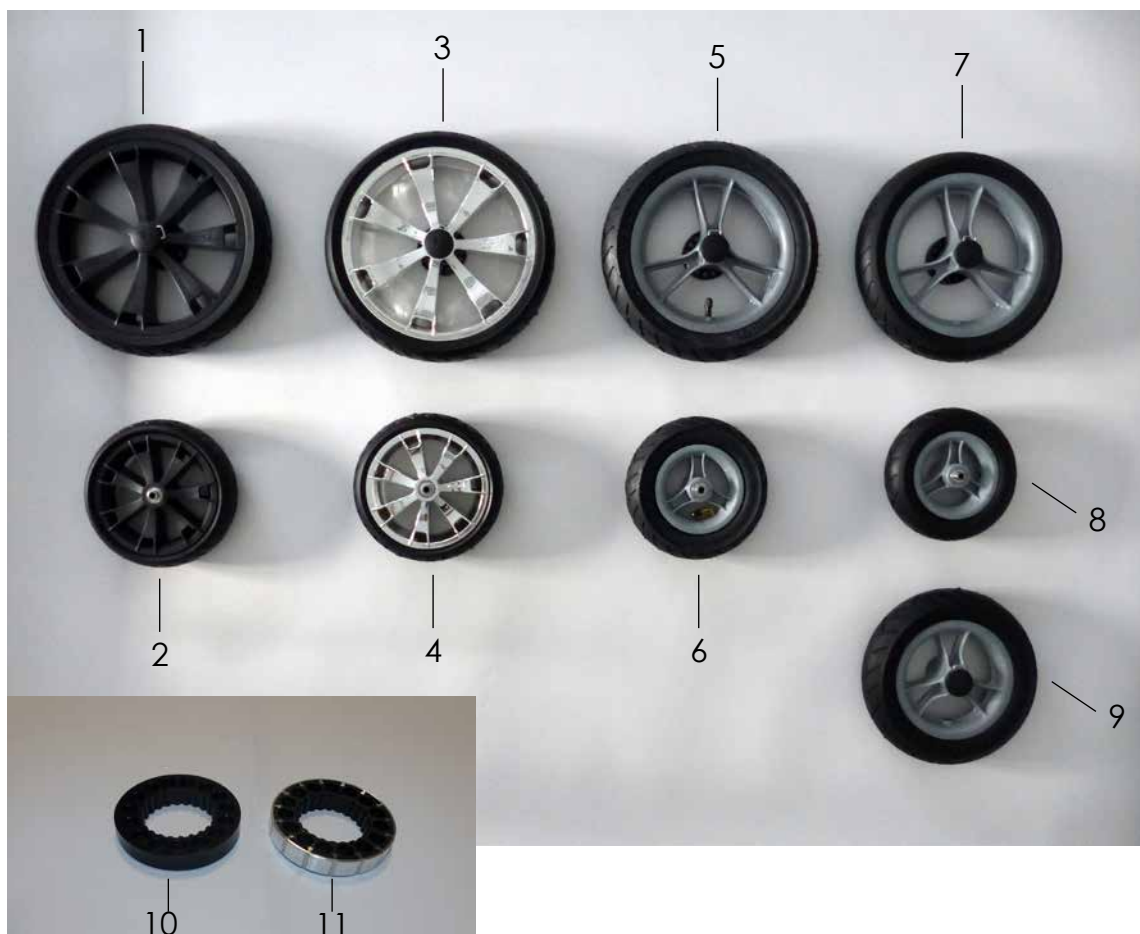
Pos	Article number	Articel description	Quantity	Unit
<b>1-13</b>	<b>3230-7300E</b>	<b>Tie down kit Mini</b>	<b>1</b>	<b>Pc.</b>
1	3231-7311E-xxx	Seat bearing plate with lashing eyes, left	1	Pc.
	3231-7312E-xxx	Seat bearing plate with lashing eyes, right	1	Pc.
2	3230-1516	Scantlings bearing Mini	2	Pc.
3	1062-0516	Blind rivet F5x16	4	Pc.
4	1055-0005	Washer A5,3	4	Pc.
5	1029-0820	Slide bushing	2	Pc.
6	1051-0008	Washer A8,4	2	Pc.
7	3201-7350	Button head socket screw M8x20	2	Pc.
8	1042-0008	Hexagon nut self-locking M8	2	Pc.
9	1914-0007	Adhesive lable with hook symbol (4 pcs.)	1	Pc.

# Spare parts



Pos	Article number	Articel description	Quantity	Unit
<b>1-5</b>	<b>1281-0007E</b>	<b>Castor fork with fasteners</b>	<b>1</b>	<b>Pc.</b>
1	1281-0007	Castor fork LG-K-200-12 schw 200x60	1	Pc.
2	1012-1265	Hexagon head screw M12x65	1	Pc.
3	1052-0012	Spring washer B12	1	Pc.
4	1022-0875	Hexagon socket head cap screw M8x75	1	Pc.
5	1044-0008	Hexagonal domed cap nut self-locking M8	1	Pc.
<b>6-7</b>	<b>3202-7120E</b>	<b>Sealing for steering fork bearing for two forks</b>	<b>1</b>	<b>Set</b>
6	3224-1174	Sealing disc caster fork	2	Pc.
7	1150-0018	O-ring 26x2	2	Pc.

# Spare parts



Pos	Article number	Articel description	Quantity	Unit
1	1221-3063E	PU-Wheel R300/60 black rim, with break disc, plastic	2	Pc.
	1221-3064	PU-Rad R300/60 black rim, break disk with alloy ring	2	Pc.
2	1221-2049	PU-Rad 200x48, black rim	2	Pc.
3	1221-3061E	PU-Rad 300x60, chromed rim with break disk, plastic	2	Pc.
	1221-3062	PU-Rad 300x60, chromed rim and break disk with alloy ring	2	Pc.
4	1221-2048	PU-Rad 200x48, rim chromed	2	Pc.
5	1211-2961E	Luftrad 290x60, rim grey, with break disk plastic	2	Pc.
	1211-2962	Luftrad 290x60, rim grey and break disc with alloy ring	2	Pc.
6	1211-1950	Luftrad 190x50, rim grey	2	Pc.
7	1221-2961	PU-Rad 290x60, rim grey with break disc, plastic	2	Pc.
	1221-2962	PU-Rad 290x60, rim grey and break disk with alloy ring	2	Pc.
8	1221-1950	PU-Rad 190x50, rim grey	2	Pc.
9	1211-0019	Pneumatic 250x250, rim grey (rigid frame, front wheels)	2	Pc.
	1221-0019	PU-Rad 250x250, rim grey (rigid frame, front wheels)	2	Pc.
10	1204-0002	Brake disc, plastic	2	Pc.
11	1204-0005	Brake disc with alloy-ring	2	Pc.
	1200-0001	Tire for wheel 290x60	1	Pc.
	1200-0002	Tire for wheel 190x50	1	Pc.
	1201-0001	Tube for wheel 290 x 60	1	Pc.
	1201-0002	Tube for wheel 190x50	1	Pc.

# Spare parts



Pos	Article number	Articel description	Quantity	Unit
1-3	1211-2961	Pneumatic wheel 290x60, quick release	1	Pc.
	1221-2961	PU-Wheel 290x60, quick release	1	Pc.
2-4	1209-0011	Distance ring, plastic	1	Pc.
3	1090-0002	Grooved ball bearing 6201	1	Pc.
4	1211-0024	Pneumatic 290x60, 5 spoke wheel black, quick release	1	Pc.
	1221-0035	PU-Wheel 290x60, 5 Spoke wheel black, quick release	1	Pc.
5	1205-0004	Quick release 128mm for hollow axle	1	Pc.
6	3206-1160	Pressure bushing L 23	1	Pc.
7	3206-1150	Pressure bushing L 19	1	Pc.
8	3206-1140	Axel	1	Pc.

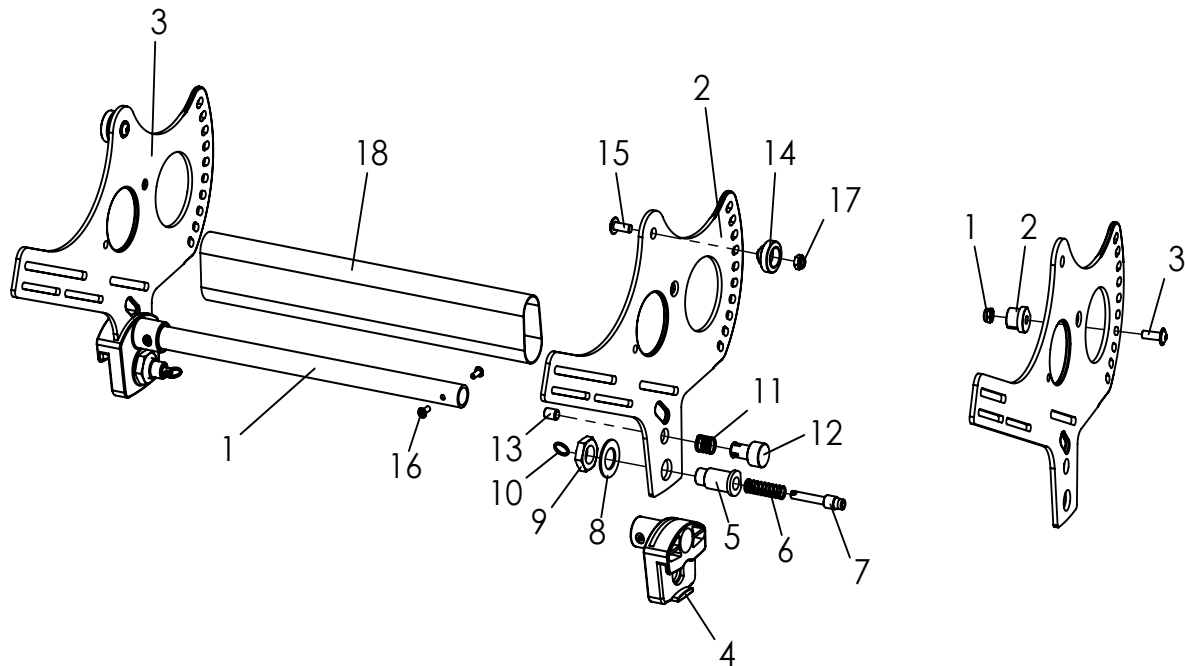
# Spare parts



Pos	Article number	Articel description	Quantity	Unit
<b>1-24</b>	<b>1219-0029E</b>	<b>Drum brake wheels, pneumatic tyres,black 5-spoke rim, rigid front wheels</b>	<b>1</b>	<b>Set</b>
	<b>1229-0029E</b>	<b>Drum brake wheels, PU tyres,black 5-spoke rim, rigid front wheels</b>	<b>1</b>	<b>Set</b>
	<b>1219-0030E</b>	<b>Drum brake wheels, pneumatic tyres,black 5-spoke rim, swivelling front wheels</b>	<b>1</b>	<b>Set</b>
	<b>1229-0030E</b>	<b>Drum brake wheels, PU tyres,black 5-spoke rim, swivelling front wheels</b>	<b>1</b>	<b>Set</b>
	<b>1219-0031E</b>	<b>Drum brake wheels, pneumatic tyres, black 5-spoke rims, TRIKE</b>	<b>1</b>	<b>Set</b>
	<b>1229-0031E</b>	<b>drum brake wheels, PU tyres,black 5-spoke rim, TRIKE</b>	<b>1</b>	<b>Set</b>
1	3201-1271	Bracket	2	Pc.
2	1205-0041	Brake plate steel left with 12 mm hole	1	Pc.
	1205-0042	Brake plate steel right with 12 mm hole	1	Pc.
3	1051-0012	Washer A 13	2	Pc.
4	1043-0012	Hexagon nut M12	2	Pc.
5	3201-1242	Axle bolt	2	Pc.
6	1029-0635	Button head socket screw M6x35	2	Pc.
7	1114-0052	Threaded bushing 8xM6x23	2	Pc.
8	1030-0614	Button head socket screw with flange M6x14	2	Pc.
9	1219-0032	Pneumatic wheel 310x55, black 5 spoke plastic rim, drum brake left side	1	Set
	1219-0033	Pneumatic wheel 310x55, 5 spoke plastic rim, drum brake right side	1	Set
	1229-0025	PU-wheel 290x60, 5 spoke plastic rim, drum brake left side	1	Set
	1229-0026	PU-wheel 290x60, 5 spoke plastic rim, drum brake right side	1	Set
10	1049-0065	BILOC-nut M12	2	Pc.
11	1209-0004	Hub cap KN-S-32/12	2	Pc.
12	1211-0017	Pneumatic wheel 190x50 with black 3 spoke plastic rim	2	Pc.
	1221-0017	PU-wheel 190x50 with black 3 spoke plastic rim	2	Pc.
	1211-0025	Pneumatic wheel 250x50, black 5 spoke plastic rim with quick release	2	Pc.
	1221-0036	PU-wheel 250x50, black 5 spoke plastic rim with quick release	2	Pc.
	1211-0024	Pneumatic 5 spoke wheel black, 290x60, quick release	1	Pc.
13	1209-0030	Brake lever 36 ° manually detent 22 mm	2	Pc.
14-16	1209-0001	Bowden wire set 1,5m cable	2	Set
17	1089-0004	Cable tie, black, 5x180	2	Pc.
18	1149-0001	Cable clip D 25	2	Pc.
19	1050-0006	Washer A6,4	2	Pc.
20	1149-0003	Cable clip d 6,4 / 8 mm, black	4	Pc.
21	1062-0516	Blind rivet F5x16	2	Pc.
22	1051-0005	Washer A5,3	6	Pc.
23	1029-0616	Button head socket screw M6x16	2	Pc.
24	1051-0006	Washer A6,4	2	Pc.

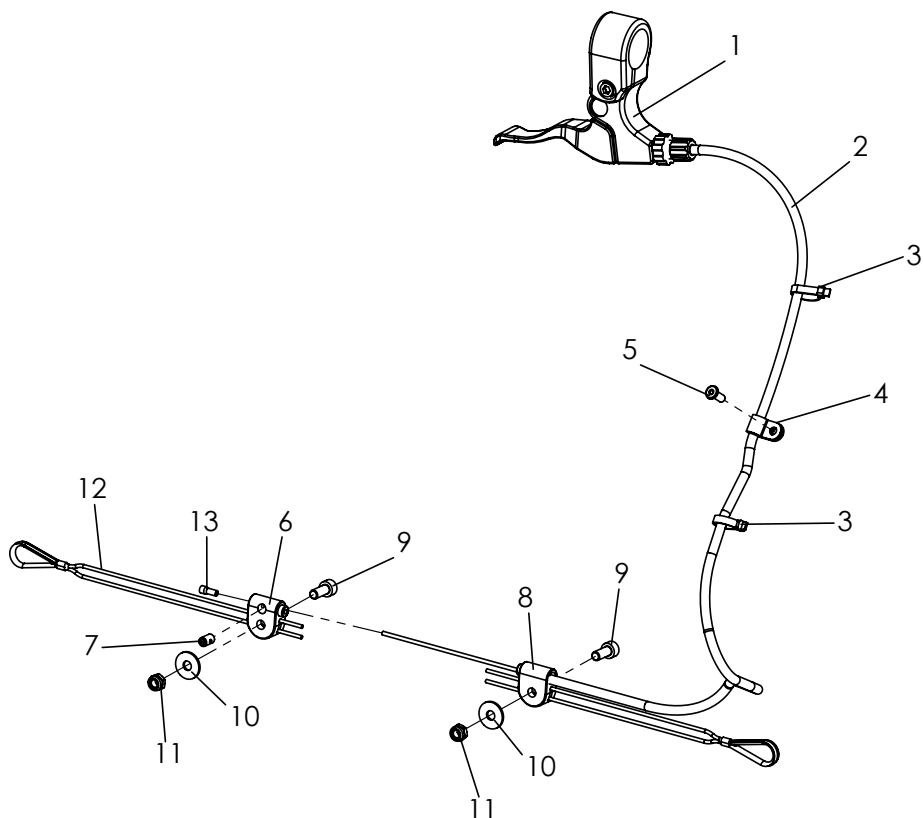


# Spare parts



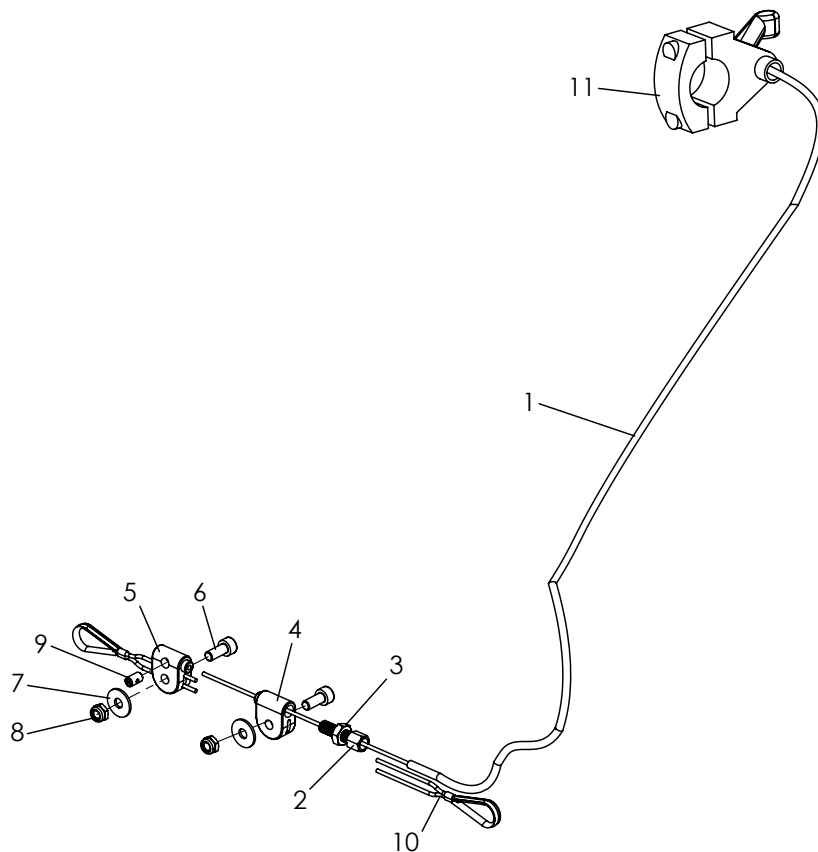
Pos	Article number	Articel description	Quantity	Unit
	<b>3230-2100E-xxx</b>	<b>Seat base Mini, complete</b>	<b>1</b>	<b>Pc.</b>
<b>1-18</b>	<b>3232-2100E-xxx</b>	<b>Seat base size 1, complete</b>	<b>1</b>	<b>Pc.</b>
	<b>3234-2100E-xxx</b>	<b>Seat base size 2, complete</b>	<b>1</b>	<b>Pc.</b>
	<b>3235-2100E-xxx</b>	<b>Seat base size 2XL, complete</b>	<b>1</b>	<b>Pc.</b>
	3230-2119-xxx	Cross strut, seat Mini	1	Pc.
1	3231-2119-xxx	Cross strut, seat size 1	1	Pc.
	3233-2119-xxx	Cross strut, seat size 2	1	Pc.
2	3230-2121-007	Side plate seat base Mini, left	1	Pc.
	3230-2122-007	Side plate seat base Mini, right	1	Pc.
3	3231-2121-007	Side plate, seat base size 1 and 2, left	1	Pc.
	3231-2122-007	Side plate, seat base size 1 and 2, right	1	Pc.
	3235-2121-007	Side plate, seat base size 2XL, left	1	Pc.
	3235-2122-007	Side plate, seat base size 2XL, right	1	Pc.
4	3231-2114	Scantlings guide	2	Pc.
5	3231-2115	Locking bolt housing	2	Pc.
6	1131-0070	Compression D-162	2	Pc.
7	3240-2422	Locking bolt	2	Pc.
8	1052-0016	Spring washer B16	2	Pc.
9	1040-0016	Hexagon nut 16x1,5	2	Pc.
10	1129-0036	Key ring 16x1,6	2	Pc.
11	1131-0065	Compression spring D-117J	1	Pc.
12	3231-2124	Lock button	1	Pc.
13	1031-0820	Hexagon socket set screw M8x20	1	Pc.
14	3231-2113	Scantlings shaft	2	Pc.
15	1030-0616	Button head socket screw with flange M6x16	2	Pc.
16	1062-0410	Blind rivet F4x10	4	Pc.
17	1042-0006	Hexagon nut self-locking M6	2	Pc.
18	3231-2140	cover for tilt mechanism size 1	1	Pc.
18.1	3233-2140	cover for tilt mechanism size 2	1	Pc.
<b>1-3</b>	<i>Limitation of back tilt</i>	<i>Size 2XL, to be mounted fourth hole from the bottom!</i>	<b>1</b>	<b>Set</b>
1	1042-0006	Hexagon nut self-locking M6	1	Pc.
2	3240-1180	Bearing plug	1	Pc.
3	1030-0618	Button head socket screw with flange M6x18	1	Pc.

# Spare parts



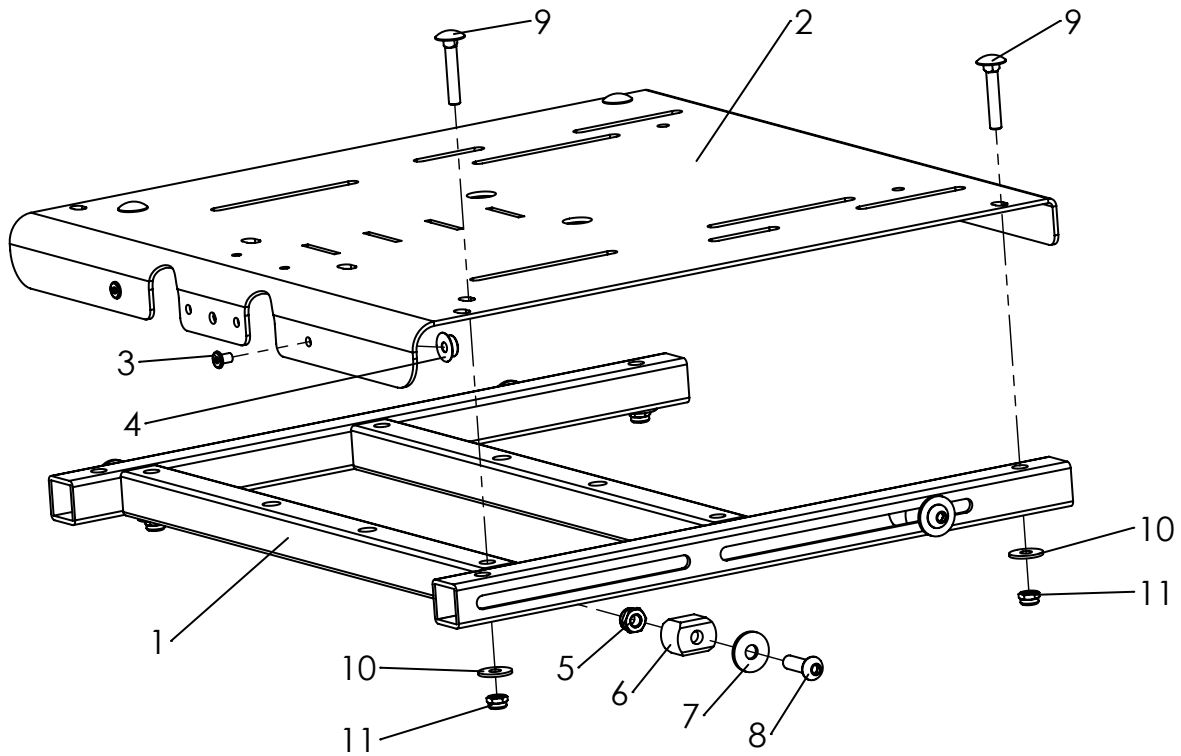
Pos	Article number	Articel description	Quantity	Unit
<b>2-13</b>	<b>3231-1900E</b>	<b>Releaser, tiltingmechanism</b>	<b>1</b>	<b>Pc.</b>
1	1209-0017	Brake lever with splittet bracket, d 22 mm black	1	Pc.
2	1209-0029	Cable BZ-670x780	1	Pc.
3	1089-0007	Cable tie 3,3 x 145	2	Pc.
4	1119-0003	Wire clamp	1	Pc.
5	1062-0410	Blind rivit F4x10	1	Pc.
6	3243-1932	Nipple bearing	1	Pc.
7	1099-0004	Screw nipple 1100, D5x8	1	Pc.
8	3243-1931	Bowden bearing	1	Pc.
9	1021-0512	Cylinder head screw, M5x12	2	Pc.
10	1055-0005	Washer A5,3	2	Pc.
11	1042-0005	Hexagon nut self-locking M5	2	Pc.
12	1129-1001	Universal wire-rope with rope thimble for seat angle adjustment	2	Pc.
13	1209-0007	End cap aluminium U-BA-S for Bowden cable wire	1	Pc.

# Spare parts



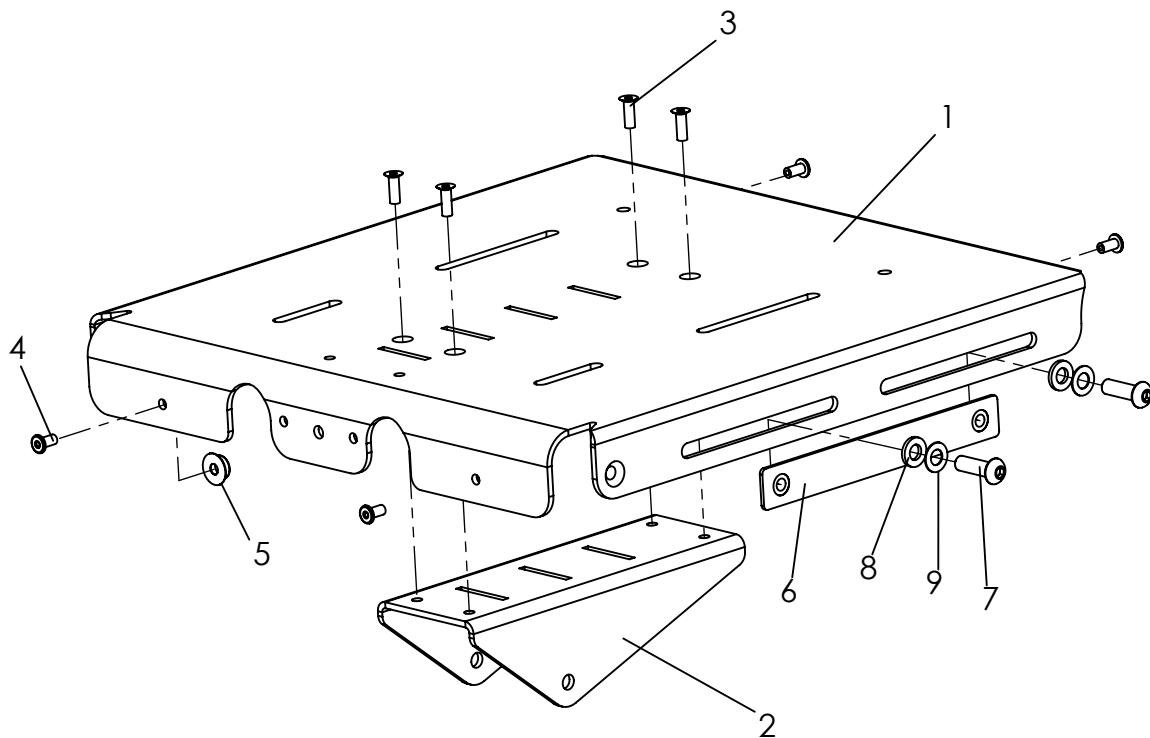
Pos	Article number	Articel description	Quantity	Unit
<b>1-10</b>	<b>3230-1900E</b>	<b>Releaser, tiltingmechanism, Mini</b>	<b>1</b>	<b>Pc.</b>
1	1209-0029	Cable BZ-670x780	1	Pc.
2	1099-0003	Adjusting screw	1	Pc.
3	1042-0006	Hexagon nut self-locking M6	1	Pc.
4	3243-1931	Wire clamp	1	Pc.
5	3243-1932	Nipple bearing	1	Pc.
6	1021-0512	Cylinder head screw M5x12	2	Pc.
7	1055-0005	Washer A5,3	2	Pc.
8	1042-0005	Hexagon nut self-locking M5	2	Pc.
9	1099-0004	Screw nipple 1100, D5x8	1	Pc.
10	3230-1129	Universal wire-rope with rope thimble, for seat angle adjustment, Mini	2	Pc.
11	1209-0036	Release lever D22	1	Pc.

# Spare parts



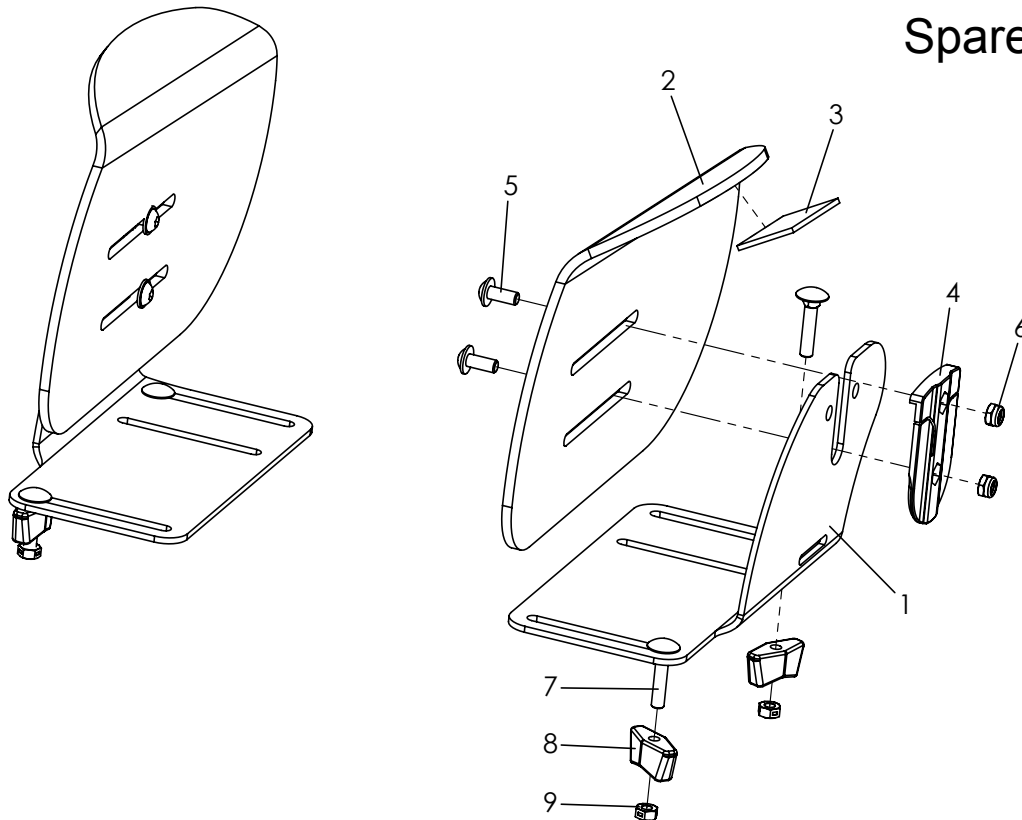
Pos	Article number	Articel description	Quantity	Unit
1-11	<b>3232-2200E-xxx</b>	<b>Seat surface size 1, with conectors</b>	<b>1</b>	<b>Pc.</b>
	<b>3234-2200E-xxx</b>	<b>Seat surface size 2, with conectors</b>	<b>1</b>	<b>Pc.</b>
	<b>3235-2200E-xxx</b>	<b>Seat surface size 2XL, with conectors</b>	<b>1</b>	<b>Pc.</b>
1	3231-2250-xxx	Adjustable seat frame size 1	1	Pc.
	3233-2250-xxx	Adjustable seat frame size 2	1	Pc.
	3235-2250-xxx	Adjustable seat frame size 2 XL	1	Pc.
2	3232-2221-xxx	Seat surface size 1	1	Pc.
	3234-2221-xxx	Seat surface size 2	1	Pc.
	3235-2221-xxx	Seat surface size 2XL	1	Pc.
3	1061-0406	Blind rivet F4x6	4	Pc.
4	1533-0005	Ring-ball part DRK 95B	4	Pc.
5	1042-0006	Hexagon nut self-locking M6	4	Pc.
6	3231-2262	Clamping block	4	Pc.
7	1055-0006	Washer A6,4	4	Pc.
	1055-0006-033	Washer A6,4 black	4	Pc.
8	1029-0620	Button head socket screw M6x20	4	Pc.
	1029-0620-033	Button head socket screw black M6x20	4	Pc.
9	1026-0530	Mushroom head square neck bolt M5x30	4	Pc.
10	1055-0005	Washer A5,3	4	Pc.
11	1042-0005	Hexagon nut self-locking M5	4	Pc.

# Spare parts



Pos	Article number	Articel description	Quantity	Unit
1-9	3230-2200-032	Seat surface Mini, complete	1	Pc.
1-3	3230-2211-032	Seat surface Mini	1	Pc.
2	3230-2212-032	Retainer for Footrest hanger	1	Pc.
3	1063-0412	Blind rivet S4x12	4	Pc.
4	1061-0406	Blind rivet F4x6	4	Pc.
5	1533-0005	Ring-ball part	4	Pc.
6	3230-2231	Threadplate M6x110	2	Pc.
7	1029-0620-033	Button head socket screw black M6x20	4	Pc.
8	1055-0006-033	Washer A6,4	4	Pc.
9	1052-0006-033	Spring washer B6	4	Pc.

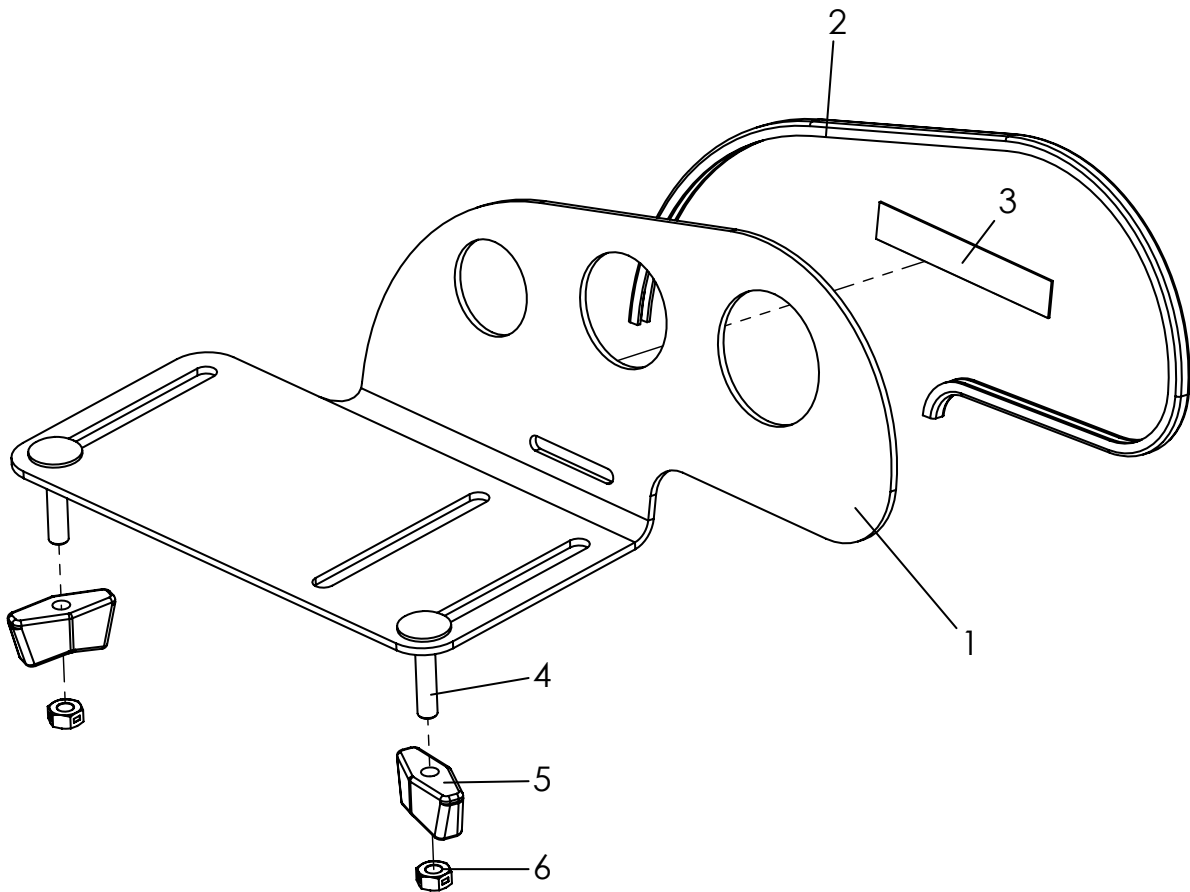
## Spare parts



Pos	Article number	Articel description	Quantit	Unit
1-9	<b>3230-2602E</b>	<b>Hip support right Mini</b>	<b>1</b>	<b>Pc.</b>
	<b>3230-2601E</b>	<b>Hip support left Mini</b>	<b>1</b>	<b>Pc.</b>
	<b>3231-2602E</b>	<b>Hip support right size 1</b>	<b>1</b>	<b>Pc.</b>
	<b>3231-2601E</b>	<b>Hip support left size 1</b>	<b>1</b>	<b>Pc.</b>
	<b>3233-2602E</b>	<b>Hip support right size 2</b>	<b>1</b>	<b>Pc.</b>
	<b>3233-2601E</b>	<b>Hip support left size 2</b>	<b>1</b>	<b>Pc.</b>
	<b>3235-2602E</b>	<b>Hüftpelotte right Gr. 2XL</b>	<b>1</b>	<b>Pc.</b>
	<b>3235-2601E</b>	<b>Hüftpelotte left Gr. 2XL</b>	<b>1</b>	<b>Pc.</b>
1	3230-2612-032	Bracket for hip supports, right, Mini, black dull matt	1	Pc.
	3230-2611-032	Bracket for hip supports, left, Mini, black dull matt	1	Pc.
	3231-2612-032	Bracket for hip supports, right, size 1, black dull matt	1	Pc.
	3231-2611-032	Bracket for hip supports, left, size 1, black dull matt	1	Pc.
	3233-2612-032	Bracket for hip supports, right, size 2, black dull matt	1	Pc.
	3233-2611-032	Bracket for hip supports, left, size 2, black dull matt	1	Pc.
2-3	3230-2623E	Hip support formed part, right, Mini with velcro	1	Pc.
	3230-2621E	Hip support formed part, left, Mini with velcro	1	Pc.
	3231-2623E	Hip support formed part, right, size 1 with velcro	1	Pc.
	3231-2621E	Hip support formed part, left, size 1 with velcro	1	Pc.
	3233-2623E	Hip support formed part, right, size 2 with velcro	1	Pc.
	3233-2621E	Hip support formed part, left, size 2 with velcro	1	Pc.
	3235-2625-032	Hip support formed part, right, size 2XL with velcro	1	Pc.
	3235-2624-032	Hip support formed part, left, size 2XL with velcro	1	Pc.
3	1501-0003	Hook strap black 25mm	0,2	m
4	3231-2622	Locking hinge	2	Pc.
5	1030-0512	Button head socket screw with flange M5x12	4	Pc.
6	1042-0005	Hexagon nut self-locking M5	4	Pc.
7	1026-0525	Mushroom head square neck bolt M5x25	4	Pc.
8	1123-0500	Wing nut PA black M5	4	Pc.
9	1049-0066	BILOC-nut M5	4	Pc.

For hip upholstery see page 52.

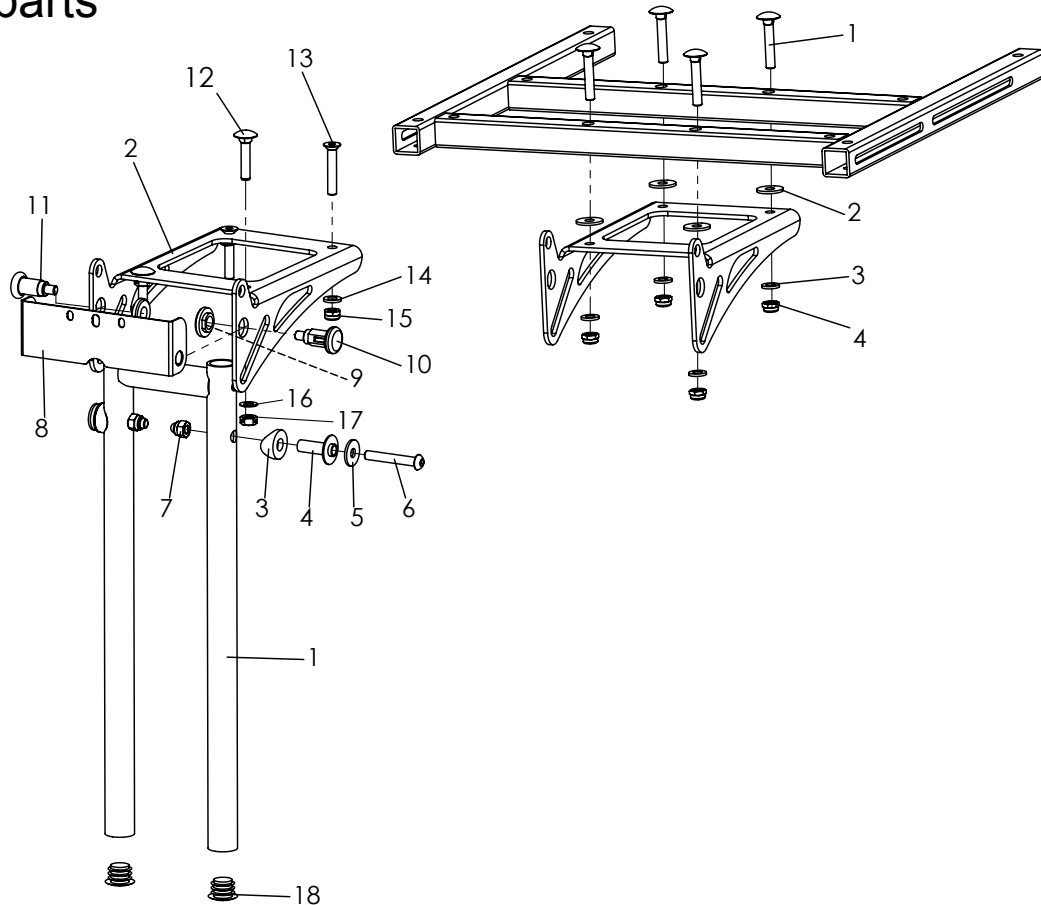
# Spare parts



Pos	Article number	Articel description	Quantity	Unit
1-6	<b>3230-2901</b>	<b>Pelotte thigh support Mini, left, picture</b>	<b>1</b>	<b>St</b>
	<b>3230-2902</b>	<b>Pelotte thigh support Mini, right</b>	<b>1</b>	<b>St</b>
	<b>3231-2901E</b>	<b>Pelotte thigh support size 1, left</b>	<b>1</b>	<b>St</b>
	<b>3231-2902E</b>	<b>Pelotte thigh support size 1, right</b>	<b>1</b>	<b>St</b>
	<b>3233-2901E</b>	<b>Pelotte thigh support size 2, left, picture</b>	<b>1</b>	<b>St</b>
	<b>3233-2902E</b>	<b>Pelotte thigh support size 2, right</b>	<b>1</b>	<b>St</b>
	<b>3235-2901E</b>	<b>Pelotte thigh support size 2XL, left</b>	<b>1</b>	<b>St</b>
	<b>3235-2902E</b>	<b>Pelotte thigh support size 2XL, right</b>	<b>1</b>	<b>St</b>
1-3	3230-2911E	Pelotte thigh support Mini, left, picture	1	St
	3230-2912E	Pelotte thigh support Mini, right	1	St
	3231-2911E	Pelotte thigh support size 1, left	1	St
	3231-2912E	Pelotte thigh support size 1, right	1	St
	3233-2911E	Pelotte thigh support size 2, left, picture	1	St
	3233-2912E	Pelotte thigh support size 2, right	1	St
	3235-2911-XXX	Pelotte thigh support size 2XL, left	1	St
	3235-2912-XXX	Pelotte thigh support size 2XL, right	1	St
2	1144-0001	KS-Profil PVC	1	St
3	1501-0003	Hook strap black 25mm	0,4	m
4	1026-0525	Mushroom head square neck bolt M5x25	2	St
5	1123-0500	Wing nut PA black M5	2	St
6	1049-0066	BILOC-nut M5	2	St

For pelotte thigh Upholstery see page 52.

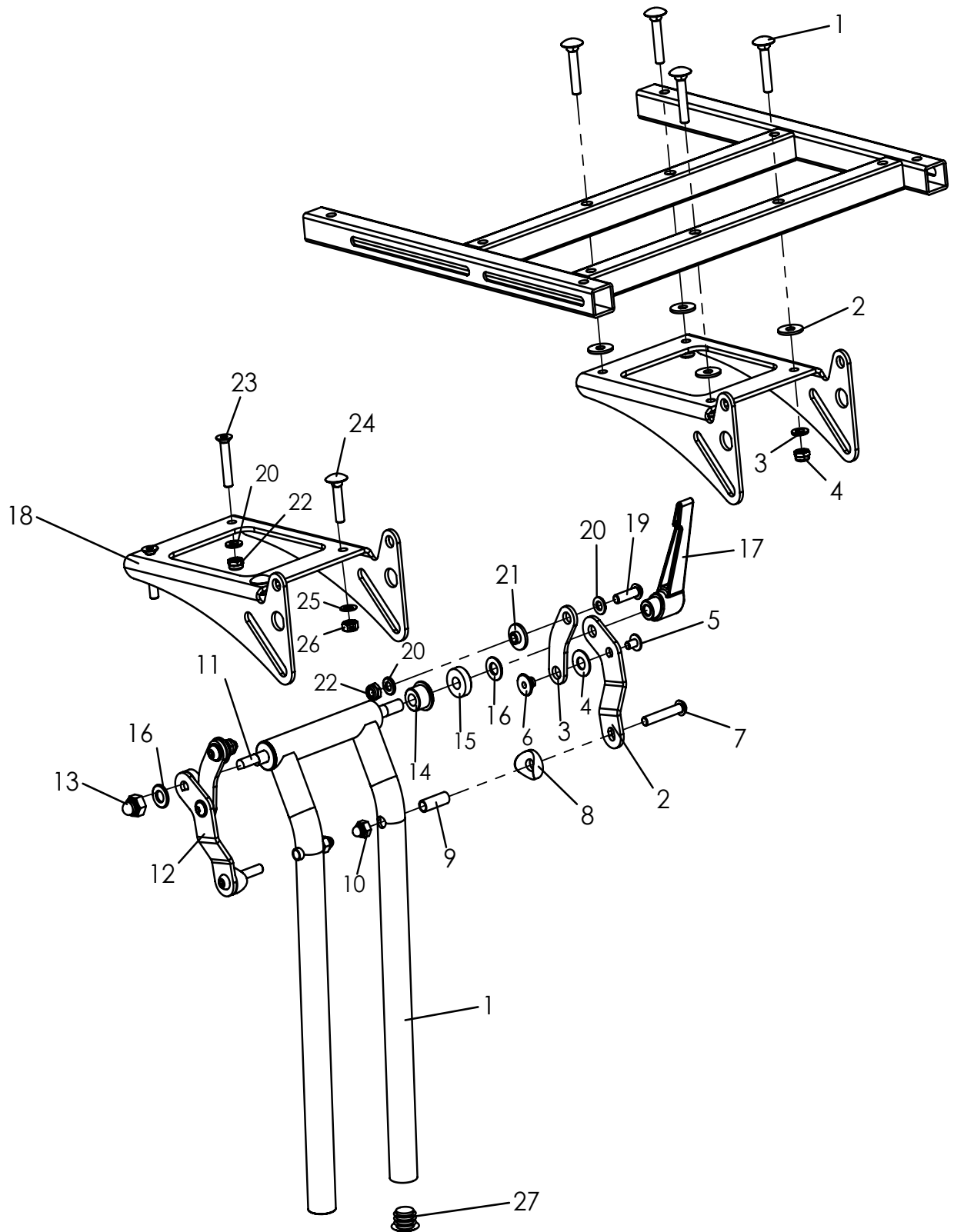
# Spare parts



Pos	Article number	Articel description	Quantity	Unit
<b>1-18</b>	<b>3231-2501E-xxx</b>	<b>Footresthanger 90° fix size 1</b>	<b>1</b>	<b>Pc.</b>
	<b>3233-2501E-xxx</b>	<b>Footresthanger 90° fix size 2</b>	<b>1</b>	<b>Pc.</b>
1	3231-2520-xxx	Bracket for footrest hanger size 1	1	Pc.
	3233-2520-xxx	Bracket for footrest hanger size 2	1	Pc.
2	3231-2411-007	Console for footrest black anodized	2	Pc.
3	1111-0016	Saddle washer PA black 20x8.4x3	2	Pc.
4	3231-2532	Pivot bearing	2	Pc.
5	1055-0006	Washer A6,4	2	Pc.
6	1029-0640	button head socket screw M6x40	2	Pc.
7	1044-0006	Hexagonal domed cap nut self-locking 986 M6	2	Pc.
8	3231-2545	Fold stop	1	Pc.
9	3231-2544	Nut for lock pin	2	Pc.
10	1127-0009	Lock pin with lock funktion	1	Pc.
11	1127-0010	Lock pin	1	Pc.
12	1026-0630	Mushroom head square neck bolt M6x30	2	Pc.
13	1024-0635	Hexagon socket countersunk head screw M6x35	2	Pc.
14	1051-0006	Washer A6,4	2	Pc.
15	1042-0006	Hexagon nut self-locking M6	2	Pc.
16	1052-0006	Spring washer B6	2	Pc.
17	1049-0068	BILOC-nut M6	2	Pc.
18	1141-0006	Ribbed insert SFL 20x0,8-2,5	2	Pc.
	For size 2 and 2XL	<i>Pos. 12-13-14-15-16-17 must be replaced with 1-2-3-4 See extra explosion for assembly!</i>		
1	1026-0635	Mushroom head square neck bolt M6x35	4	Pc.
2	1055-0006	Washer zp A6,4	4	Pc.
3	1051-0006	Washer A6,4	4	Pc.
4	1042-0006	Hexagon nut self-locking M6	4	Pc.



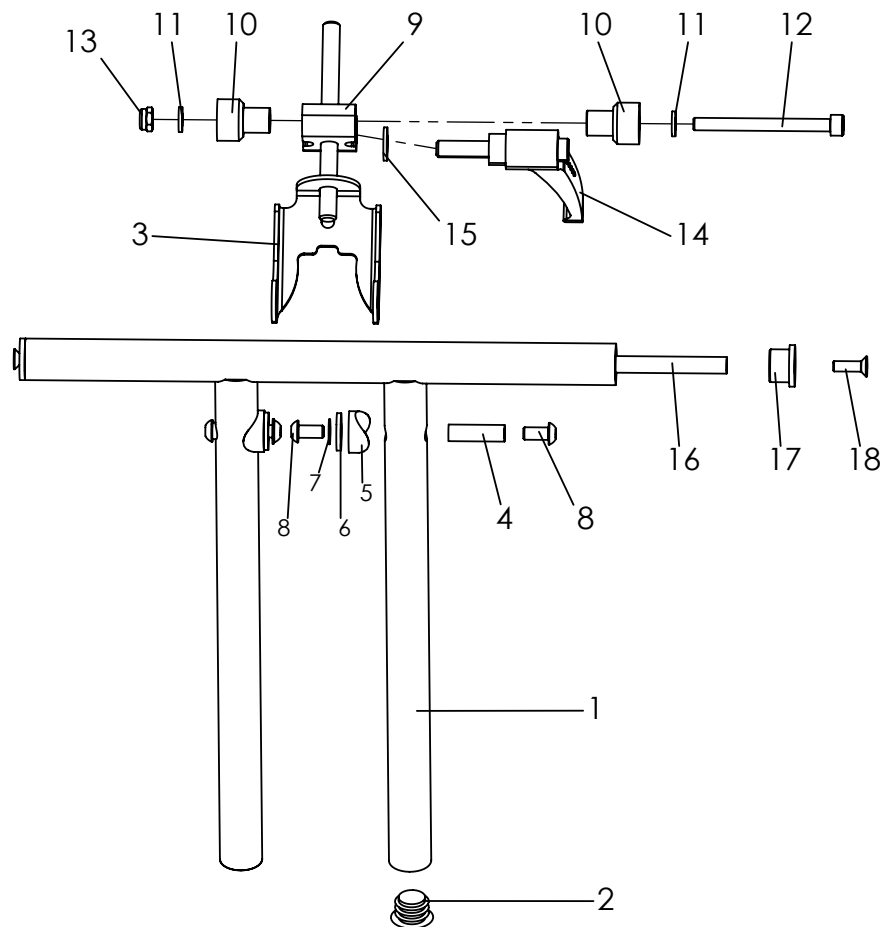
# Spare parts



# Spare parts

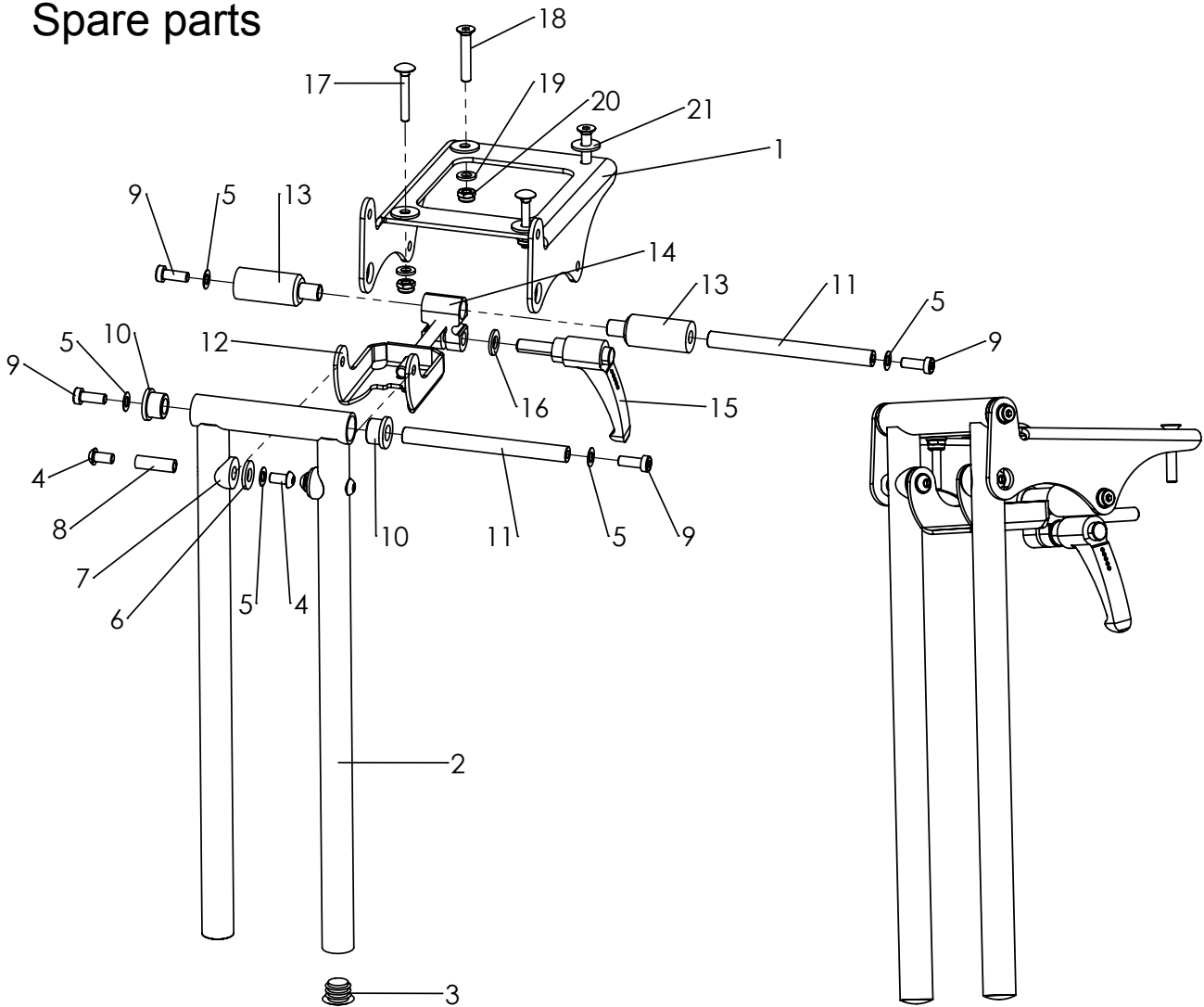
Pos	Article number	Articel description	Quantity	Unit
<b>1-27</b>	<b>3231-2403E-xxx</b>	<b>Foot rest hanger size 1 angle adjustable 90-160°</b>	<b>1</b>	<b>Pc.</b>
	<b>3233-2403E-xxx</b>	<b>Foot rest hanger size 2 angle adjustable 90-160°</b>	<b>1</b>	<b>Pc.</b>
1	3240-2870-xxx	Brackets for footrest hanger, angle adjustable size 1	1	Pc.
	3233-2410-xxx	Brackets for footrest hanger, angle adjustable size 2	1	Pc.
2	3231-2434-032	Swing lever, left	1	Pc.
3	3231-2433-032	Fold lever short	2	Pc.
4	1113-0003	Washer PA 18x8,4x1 black	2	Pc.
5	1030-0508	Button head socket screw with flange M5x8	2	Pc.
6	3231-2437	Swing lever axel	2	Pc.
7	1029-0635	Button head socket screw M6x35	2	Pc.
8	1111-0016	Saddle washer PA black 20x8.4x3	2	Pc.
9	1114-0012	Bushing 8x0,8x22,5	2	Pc.
10	1044-0006	Hexagonal domed cap nut self-locking M6	2	Pc.
11	3231-2438	Thread rod	1	Pc.
12	3231-2435-032	Swing lever, right	1	Pc.
13	1044-0008	Hexagonal domed cap nut self-locking M8	1	Pc.
14	3240-2864	Clamp bushing	2	Pc.
15	3231-2436	Trust piece	2	Pc.
16	1051-0008	Washer A8,4	2	Pc.
17	1121-0800	Locking lever PA black M8	1	Pc.
18	3231-2411-007	Console for footrest black anodized	1	Pc.
19	1029-0620	Button head socket screw M6x20	2	Pc.
20	1051-0006	Washer A6,4	6	Pc.
21	3210-1238	Shoulder bushing	2	Pc.
22	1042-0006	Hexagon nut self-locking M6	4	Pc.
23	1024-0635	Hexagon socket countersunk head screw M6x35	2	Pc.
24	1026-0630	Mushroom head square neck bolt M6x30	2	Pc.
25	1052-0006	Spring washer B6	2	Pc.
26	1049-0068	BILOC-nut M6	2	Pc.
27	1141-0006	Ribbed insert SFL 20x0,8-2,5	2	Pc.
	<b>For size 2 and 2XL</b>	<b>Pos. 20-22-23-24-25-26 must be replaced with 1-2-3-4</b>		
		<b>See extra explosion for assembly!</b>		
1	1026-0635	Mushroom head square neck bolt M6x35	4	St
2	1055-0006	Washer zp A6,4	4	St
3	1051-0006	Washer A6,4	4	St
4	1042-0006	Hexagon nut self-locking M6	4	St

# Spare parts



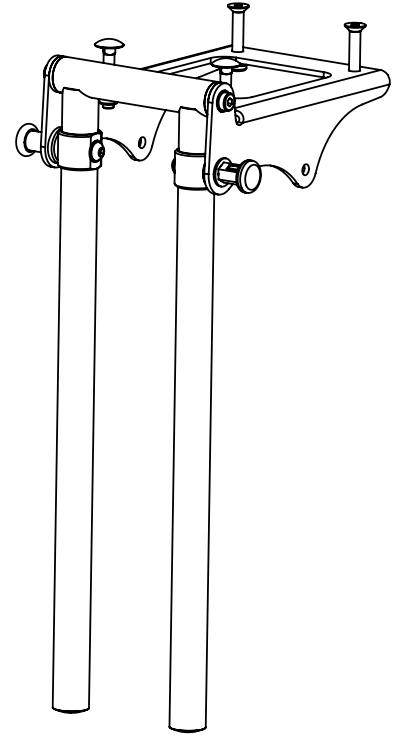
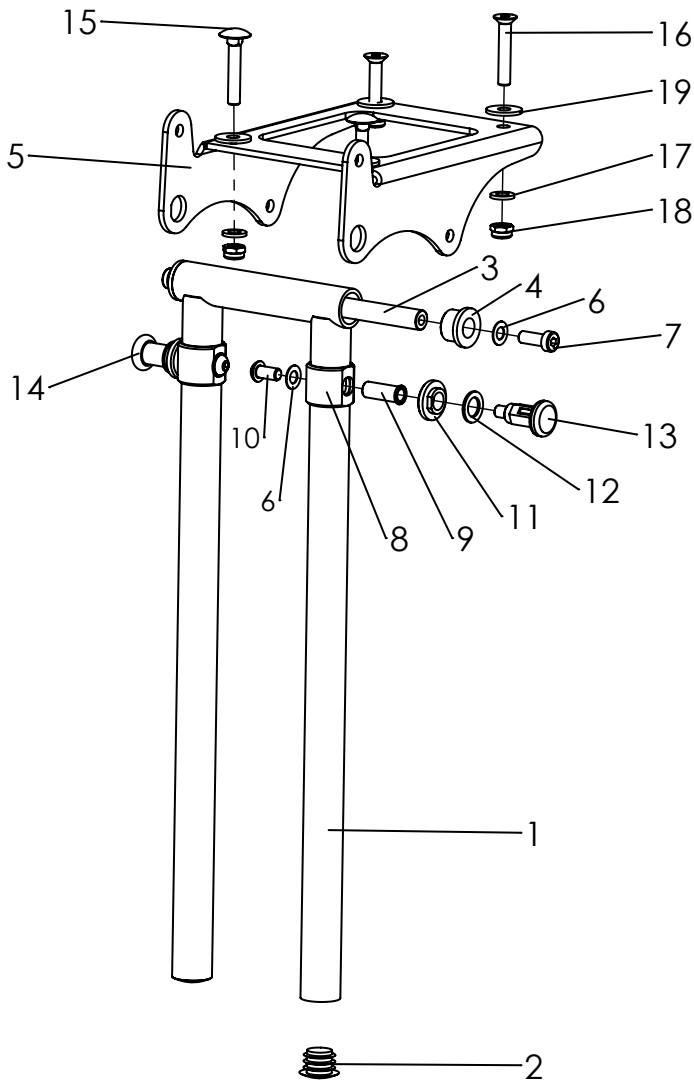
Pos	Article number	Articel description	Quantity	Unit
<b>1-18</b>	<b>3230-2400E-032</b>	<b>Foot rest hanger Mini angle adjustable</b>	<b>1</b>	<b>Pc.</b>
1	3230-2420-032	Brackets for footrest hanger, angle adjustable Mini	1	Pc.
2	1141-0006	Ribbed insert SFL 20x0,8-2,5	2	Pc.
3	3230-2430-033	Suporte retainer for footrest hanger	1	Pc.
4	1114-0062	Threaded bushing 8xM6x26,5	2	Pc.
5	1111-0016	Saddle washer PA black 20x8.4x3	2	Pc.
6	1113-0035	Washer PA 18x8,4x2 black	2	Pc.
7	1052-0006-033	Spring washer B6 black B6	2	Pc.
8	1029-0612-033	Button head socket screw M6x12	4	Pc.
9	3230-2411-007	Clamping block	1	Pc.
10	3230-2413	Axel bushing	2	Pc.
11	1051-0006	Washer A6,4 zp DIN/ISO 125 A6,4	2	Pc.
12	1021-0665	Hexagon socket head cap screw M6x65	1	Pc.
13	1042-0006	Hexagon nut self-locking M6	1	Pc.
14	1121-0825	Locking lever PA black M8x25	1	Pc.
15	1051-0008	Washer A8,4 zp DIN/ISO 125 A8,4	1	Pc.
16	3230-2441-008	Bushing tube with M6 thread	1	Pc.
17	3230-2442	Bushing for Bracket footrest hanger	2	Pc.
18	1024-0516	Hexagon socket countersunk head screw M5x16	2	Pc.

# Spare parts



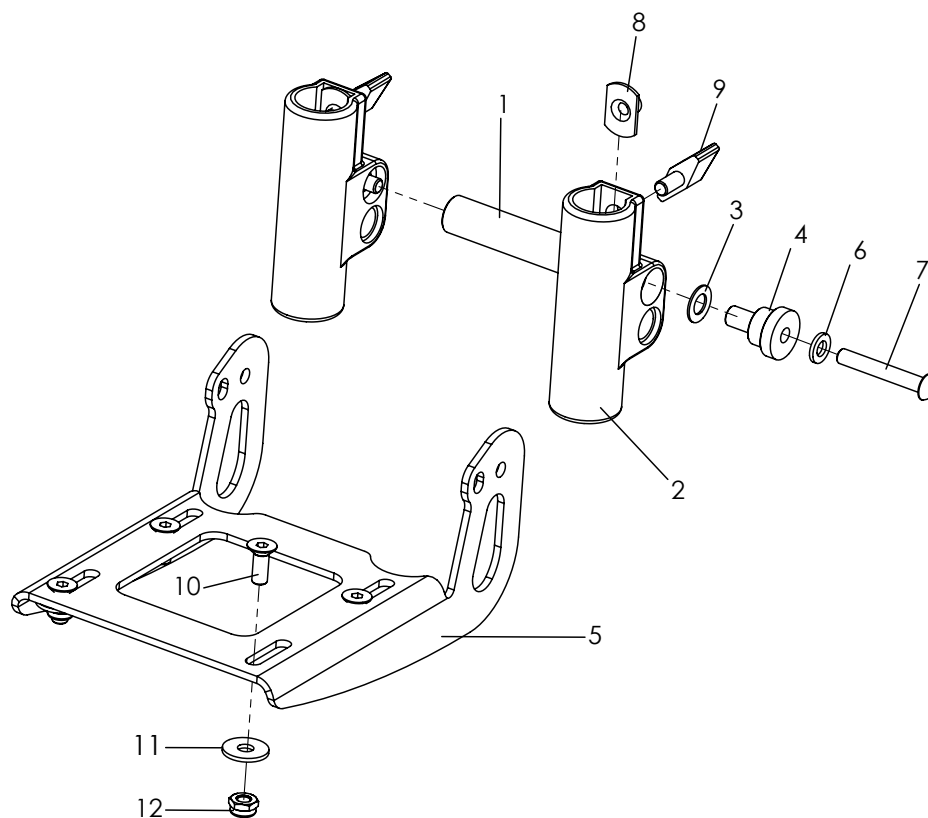
Pos	Article number	Articel description	Quantity	Unit
<b>1-21</b>	<b>3232-2403E-xxx</b>	<b>Foot rest hanger, angle adjust. 85-175°, size 1</b>	<b>1</b>	<b>Pc.</b>
	<b>3234-2403E-xxx</b>	<b>Foot rest hanger, angle adjust. 85-175°, size 2</b>	<b>1</b>	<b>Pc.</b>
1	3232-2412-007	Console for footrest black	1	Pc.
2	3232-2420-xxx	Brackets for footrest hanger, size 1	1	Pc.
	3234-2420-xxx	Brackets for footrest hanger, size 2	1	Pc.
3	1141-0006	Ribbed insert SFL 20x0,8-2,5	2	Pc.
4	1029-0612	Button head socket screw M6x12	4	Pc.
	1029-0612-033	Button head socket screw M6x12	4	Pc.
5	1052-0006	Spring washer B6	6	Pc.
6	1113-0035	Washer PA 18x8,4x2 black	2	Pc.
7	1111-0016	Saddle washer PA black 20x8.4x3	2	Pc.
8	1114-0064	Threaded bushing 8xM6x25,2	2	Pc.
9	1022-0616	Hexagon socket head cap screw M6x16	4	Pc.
10	3232-2446	Bushing for foot rest hanger	2	Pc.
11	3232-2444	Bushing	2	Pc.
12	3230-2430-033	Suporte retainer for footrest hanger	1	Pc.
13	3232-2413	Axle alves Evo	2	Pc.
14	3230-2411-007	Clamping block	1	Pc.
15	1121-0825	Locking lever PA black M8x25	1	Pc.
16	1051-0008	Washer A8,4	1	Pc.
17	1026-0530	Mushroom head square neck bolt M5x30 (front srew`s)	2	Pc.
18	1024-0635	Hexagon socket countersunk head screw M6x35 (rear screw`s)	2	Pc.
19	1051-0006	Washer A6,4	4	Pc.
20	1042-0006	Hexagon nut self-locking M6	4	Pc.
21	1055-0006	Washer A6,4 (to be instaled between console for foot rest and seat frame)	4	Pc.

# Spare parts



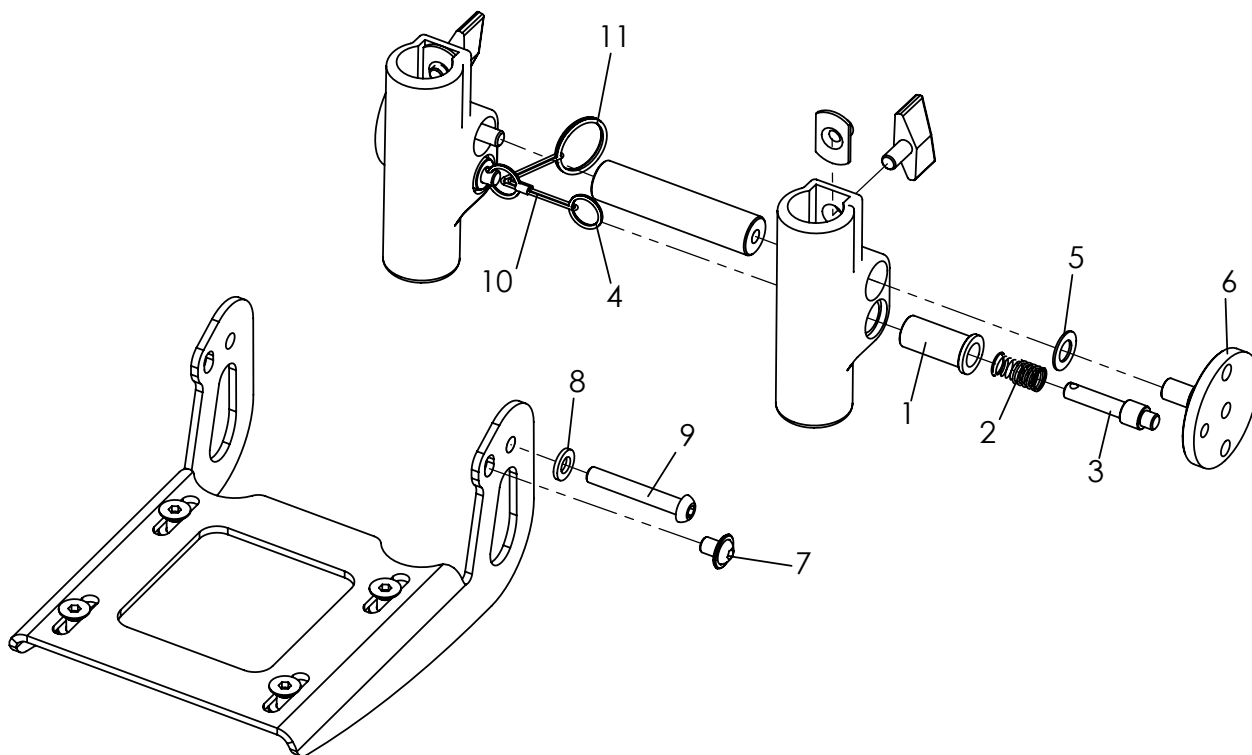
Pos	Article number	Articel description	Quantity	Unit
<b>1-19</b>	<b>3232-2501E-xxx</b>	<b>Foot rest hanger size 1, 90° fix</b>	<b>1</b>	<b>Pc.</b>
	<b>3234-2501E-xxx</b>	<b>Foot rest hanger size 2, 90° fix</b>	<b>1</b>	<b>Pc.</b>
1	3232-2420-xxx	Bracket for footrest hanger size 1	1	Pc.
	3234-2420-xxx	Bracket for footrest hanger size 2	1	Pc.
2	1141-0006	Ribbed insert 20x0,8-2,5	2	Pc.
3	3232-2444	Axle	1	Pc.
4	3232-2446	Bushing for foot rest hanger	2	Pc.
5	3232-2412-007	Console for foot rest black anodized	1	Pc.
6	1052-0006	Spring washer B6	4	Pc.
7	1022-0616	Hexagon socket head cap screw M6x16	2	Pc.
8	3232-2445	Slide ring Evo	2	Pc.
9	3232-2443	Bolt catch	2	Pc.
10	1029-0612	Button head socket screw M6x12	2	Pc.
11	3231-2544	Nut for lock pin	2	Pc.
12	1059-0001	Shim ring 10x16x1,2	2	Pc.
13	1127-0011	Lock pin M10x1-KS with lock	1	Pc.
14	1127-0010	Lock pin M-10x1	1	Pc.
15	1026-0530	Mushroom head square neck bolt M5x30 (front screw's)	2	Pc.
16	1024-0635	Hexagon socket countersunk head screw M6x35 (rear screw's)	2	Pc.
17	1051-0006	Washer A6,4	4	Pc.
18	1042-0006	Hexagon nut self-locking M6	4	Pc.
19	1055-0006	Washer A6,4 (to be instaled between console for foot rest and seat frame)	4	Pc.

# Spare parts



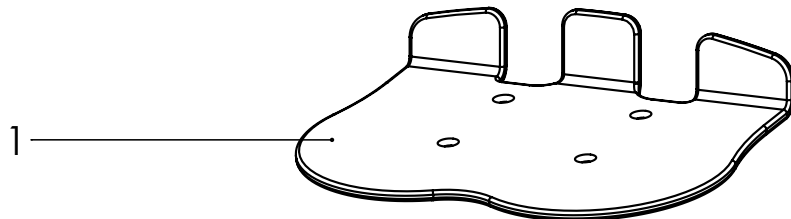
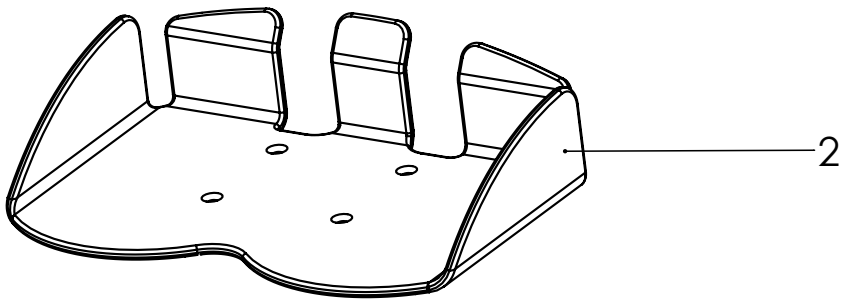
Pos	Article number	Articel description	Quantity	Unit
<b>1-11</b>	<b>3240-2901E-032</b>	<b>Foot board assembly angle adjustable and foldable</b>	<b>1</b>	<b>Pc.</b>
1	3240-2913	Stabilizer	1	Pc.
2	3201-2520	Footboard holder	2	Pc.
3	1052-0008	Spring washer B8	2	Pc.
4	3201-2530	Bushing	2	Pc.
5	3240-2911-032	Foot rest bracket black	1	Pc.
6	1051-0006	Washer A6,4	2	Pc.
7	1029-0640	Button head socket screw M6x40	2	Pc.
8	1049-0052	T-nut L-769 22x14xM6x8,5	2	Pc.
9	1123-0612	Wing screw Pa black M6x12 M6x BPF 20	2	Pc.
10	1024-0616-033	Hexagon socket countersunk head screw black M6x16	4	Pc.
11	1055-0006	Washer A 6,4	4	Pc.
12	1042-0006	Hexagon nut self-locking M6	4	Pc.

# Spare parts



Pos	Article number	Articel description	Quantity	Unit
<b>1-11</b>	<b>3240-2950E-032</b>	<b>Footrest flip up lock</b>	<b>1</b>	<b>Pc.</b>
1	3201-7520	Spring housing	2	Pc.
2	1131-0036	Compression spring D-127d 0,8x8,3x29	2	Pc.
3	3201-7530	Lock pin	2	Pc.
4	1129-0036	Key ring 16x1,6	2	Pc.
5	1052-0008	Spring washer B8	2	Pc.
6	3201-7510	Lock plate	2	Pc.
7	1030-0608	button head socket screw with flang M6x8	2	Pc.
8	1051-0006	Washer A6,4	2	Pc.
9	1029-0640	button head socket screw M6x40	2	Pc.
10	3201-7560	Wire rope for foot rest lock, EVO	0,2	m
11	1129-0003	Key ring 24x1,5	1	Pc.

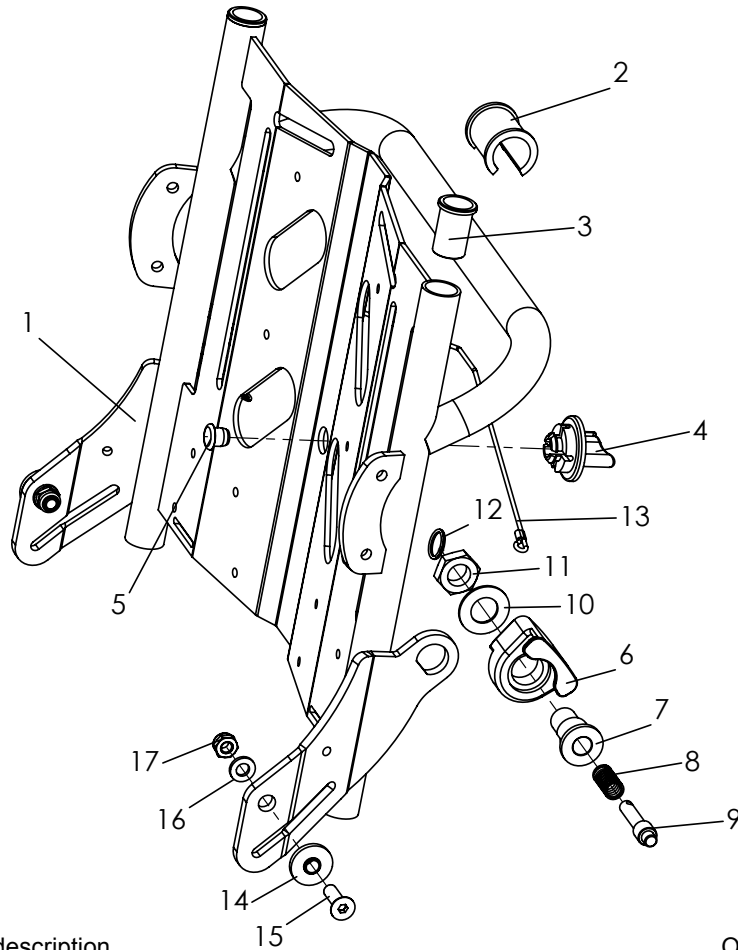
# Spare parts



Pos	Article number	Articel description	Quantity	Unit
1	3231-2491	Evo foot rest with heel stop, width 27cm	1	Pc.
	3231-2492	Evo foot rest with heel stop, width 29cm	1	Pc.
	3231-2493	Evo foot rest with heel stop, width 31cm	1	Pc.
	3231-2494	Evo foot rest with heel stop, width 33cm	1	Pc.
2	3231-2551E	Bingo-Evo foot plate in boat form size 1, width 30cm	1	Pc.
	3233-2551E	Bingo-Evo foot plate in boat form size 2, width 35cm	1	Pc.



# Spare parts

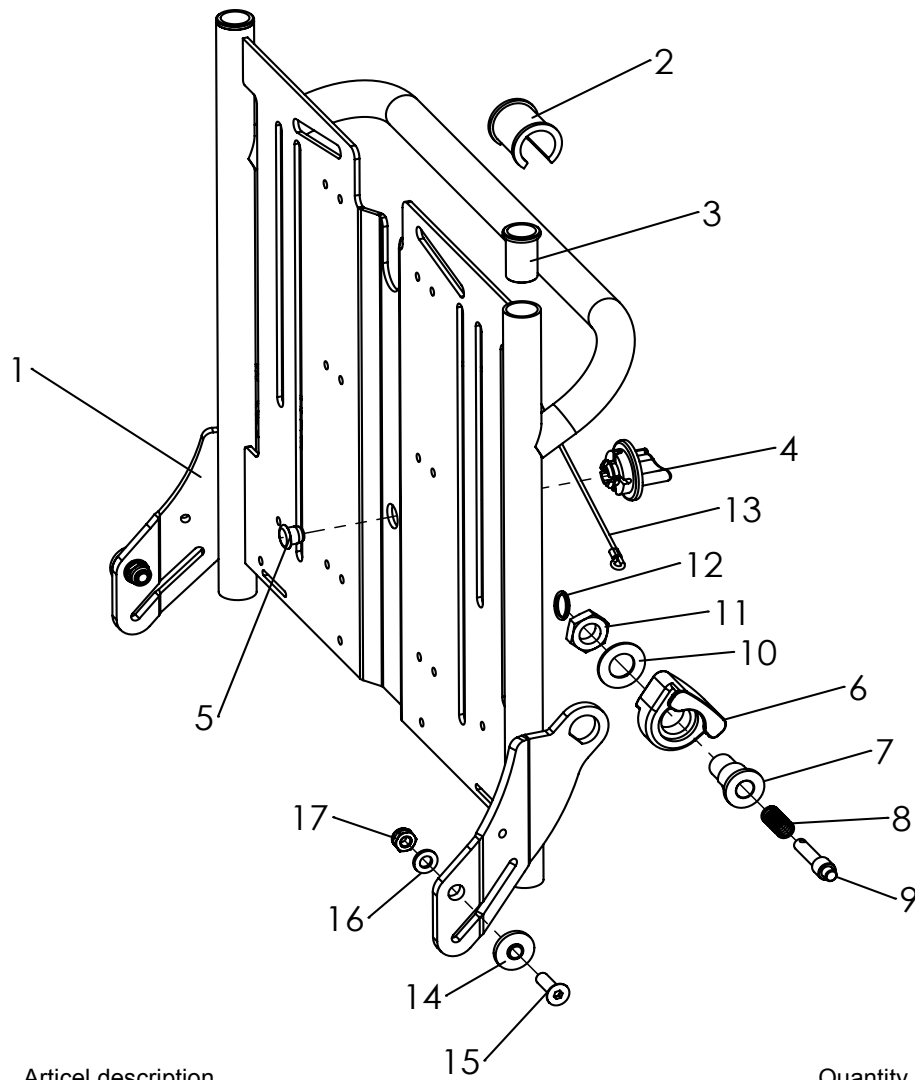


Pos	Article number	Articel description	Quantity	Unit
<b>1-17</b>	<b>3231-2300E-xxx</b>	<b>Back base size 1 complete</b>	<b>1</b>	<b>Pc.</b>
	<b>3233-2300E-xxx</b>	<b>Back base size 2 complete</b>	<b>1</b>	<b>Pc.</b>
	<b>3235-2300E-xxx</b>	<b>Back base size 2XL complete</b>	<b>1</b>	<b>Pc.</b>
1	3231-2310-xxx	Back base size 1	1	Pc.
	3233-2310-xxx	Back base size 2	1	Pc.
	3235-2310-xxx	Back base size 2XL	1	Pc.
2	3231-2324	Balance bushing	1	Pc.
3	3231-2323	Guiding bush	2	Pc.
4	3240-2441	Turning knob	1	Pc.
5	1141-0028	Decorative plug	1	Pc.
6	3231-2322	Back guidance	2	Pc.
7	3231-2321	Locking bolt housing	2	Pc.
8	1131-0036	Compression spring D-127d 0,8x8,3x29	2	Pc.
9	3201-7530	Lock pin	2	Pc.
10	1052-0012	Spring washer B12	2	Pc.
11	1040-0012	Hexagon nut M12(fine pitch thread)	2	Pc.
12	1129-0036	Key ring 16x1,6	2	Pc.
13	3231-2325	Release cable for backrest recline size 1	1	Pc.
	3233-2325	Release cable for back angle adjustment size 2	1	Pc.
14	3231-2131	Bushing	2	Pc.
15*	1024-0620	Hexagon socket countersunk head screw M6x20, <b>with frame colour 024</b>	2	Pc.
	1024-0620-033	Hexagon socket countersunk head screw black M6x20, <b>with frame colour 032</b>	2	Pc.
16	1051-0006	Washer A6,4	2	Pc.
17	1042-0006	Hexagon nut self-locking M6	2	Pc.
18	1089-0007	Cable tie 3,3 x 145	1	Pc.
19	1119-0003	Wire clamp	1	Pc.
20	1062-0410	Blind rivet F4x10	1	Pc.

18-20 are not displayed, will be put in loos.

\* Screw`s change with frame colour!

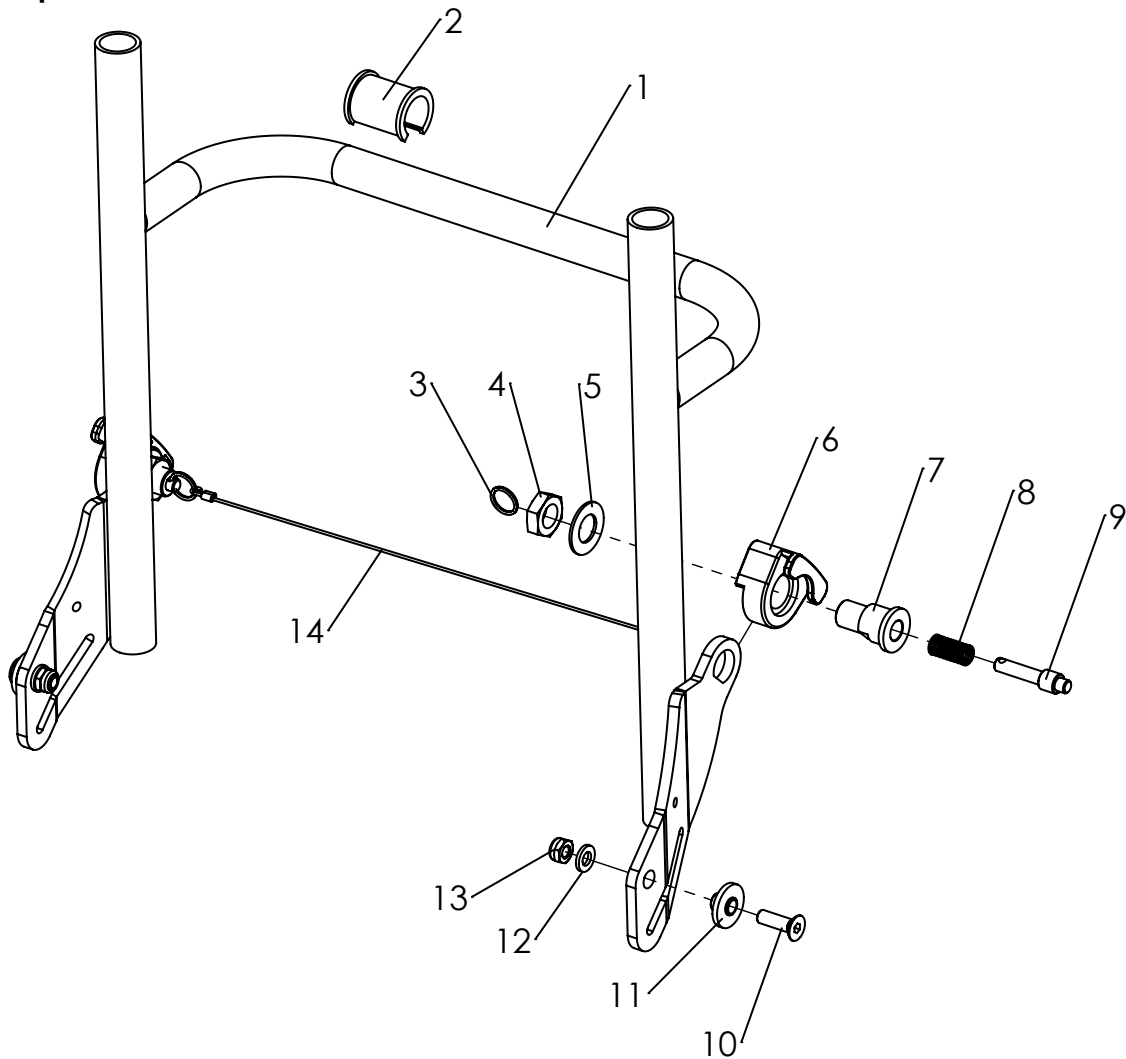
# Spare parts



Pos	Article number	Articel description	Quantity	Unit
<b>1-17</b>	<b>3231-3300E-xxx</b>	<b>Back base OT size 1 complete</b>	<b>1</b>	<b>Pc.</b>
	<b>3233-3300E-xxx</b>	<b>Back base size OT 2 complete</b>	<b>1</b>	<b>Pc.</b>
1	3231-3310-xxx	Back base size 1	1	Pc.
	3233-3310-xxx	Back base size 2	1	Pc.
2	3231-2324	Balance bushing	1	Pc.
3	3231-2323	Guiding bush	2	Pc.
4	3240-2441	Turning knob	1	Pc.
5	1141-0028	Decorative plug	1	Pc.
6	3231-2322	Back guidance	2	Pc.
7	3231-2321	Locking bolt housing	2	Pc.
8	1131-0036	Compression spring D-127d 0,8x8,3x29	2	Pc.
9	3201-7530	Lock pin	2	Pc.
10	1052-0012	Spring washer B12	2	Pc.
11	1040-0012	Hexagon nut M12(fine pitch thread)	2	Pc.
12	1129-0036	Key ring 16x1,6	2	Pc.
13	3231-2325	Release cable for backrest recline size 1	1	Pc.
	3233-2325	Release cable for back angle adjustment size 2	1	Pc.
14	3231-2131	Bushing	2	Pc.
15	1024-0620	Hexagon socket countersunk head screw M6x20, <b>with frame colour 024</b>	2	Pc.
	1024-0620-033	Hexagon socket countersunk head screw black M6x20, <b>with frame colour 032</b>	2	Pc.
16	1051-0006	Washer A6,4	2	Pc.
17	1042-0006	Hexagon nut self-locking M6	2	Pc.
18	1089-0007		1	Pc.
19	1119-0003	Wire clamp	1	Pc.
20	1062-0410	Blind rivet F4x10	1	Pc.

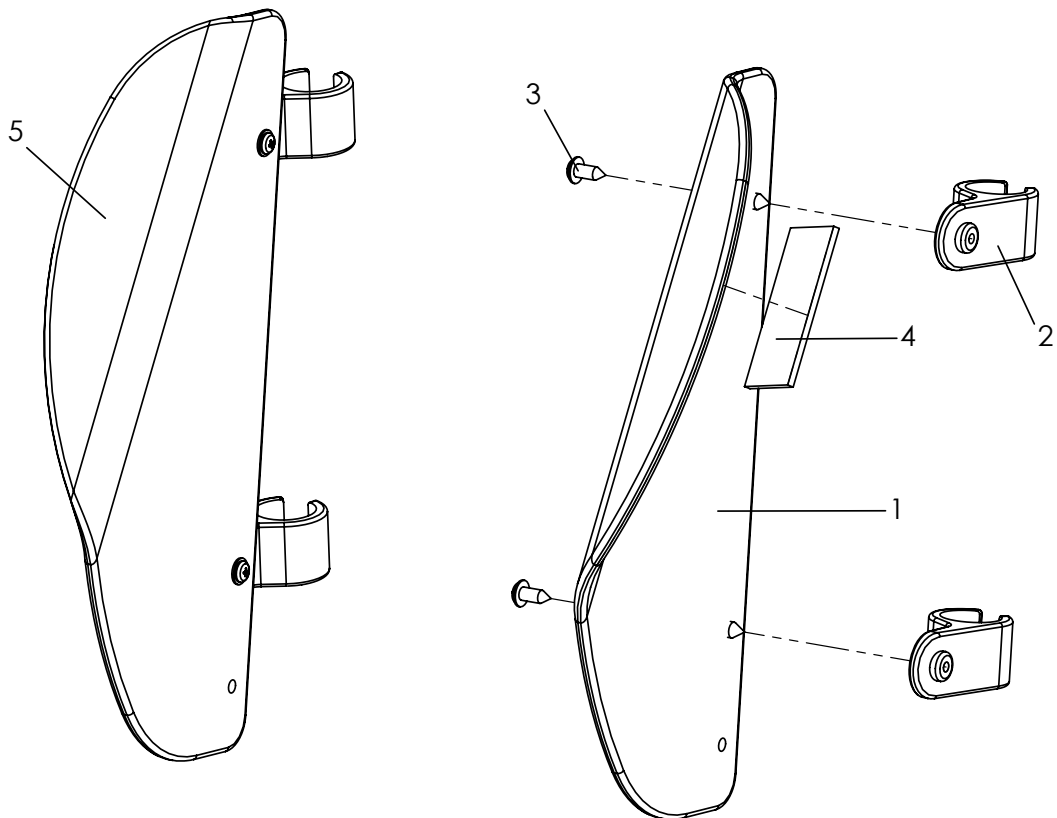
18-20 are not displayed, will be put in loos.

# Spare parts



Pos	Article number	Articel description	Quantity	Unit
<b>1-14</b>	<b>3231-3600E-xxx</b>	<b>Backbase OT Plus size 1</b>	<b>1</b>	<b>Pc.</b>
	<b>3233-3600E-xxx</b>	<b>Backbase OT Plus size 2</b>	<b>1</b>	<b>Pc.</b>
	<b>3231-3400E-024</b>	<b>Back base OT professionnel size 1, silver</b>	<b>1</b>	<b>Pc.</b>
	<b>3231-3400E-032</b>	<b>Back base OT professionnel size 1, black</b>	<b>1</b>	<b>Pc.</b>
	<b>3233-3400E-024</b>	<b>Back base OT professionnel size 2, silver</b>	<b>1</b>	<b>Pc.</b>
	<b>3233-3400E-032</b>	<b>Back base OT professionnel size 2, black</b>	<b>1</b>	<b>Pc.</b>
1	3231-3610-xxx	Back base OT Plus, size 1	1	Pc.
	3233-3610-xxx	Back base OT Plus, size 2	1	Pc.
	3231-3410-xxx	Back base OT professionnel size 1	1	Pc.
	3233-3410-xxx	Back base OT professionnel size 2	1	Pc.
2	3231-2324	Balance bushing	1	Pc.
3	1129-0036	Key ring 16x1,6	2	Pc.
4	1040-0012	Hexagon nut M12 (fine pitch thread)	2	Pc.
5	1052-0012	Spring washer B12	2	Pc.
6	3231-2322	Back guidance	2	Pc.
7	3231-2321	Locking bolt housing	2	Pc.
8	1131-0036	Compression spring D-127	2	Pc.
9	3201-7530	Lock pin	2	Pc.
10	1024-0620	Hexagon socket countersunk head screw M6x20	2	Pc.
11	3231-2131	Bushing	2	Pc.
12	1051-0006	Washer A6,4	2	Pc.
13	1042-0006	Hexagon nut self-locking M6	2	Pc.
14	3231-3699	Release cable for backrest size 1	1	Pc.
	3233-3699	Release cable for backrest size 2	1	Pc.

# Spare parts

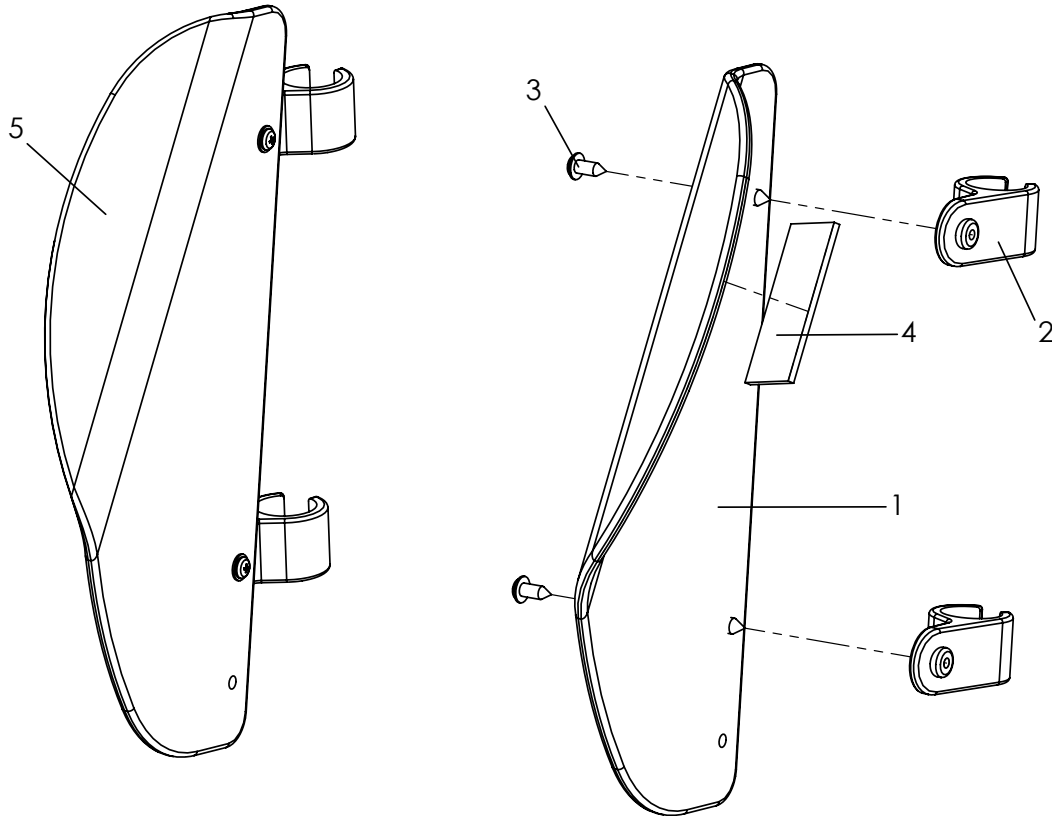


Pos	Article number	Articel description	Quantity	Unit
<b>1-4</b>	<b>3231-2710E</b>	<b>Lateral support left size 1 complete</b>	<b>1</b>	<b>Pc.</b>
	<b>3233-2710E</b>	<b>Lateral support left size 2 complete</b>	<b>1</b>	<b>Pc.</b>
1	3201-2711	Lateral support formed part left size 1	1	Pc.
	3203-2711	Lateral support formed part left size 2	1	Pc.
<b>2-5</b>	<b>3231-2720E</b>	<b>Lateral support right size 1 complete</b>	<b>1</b>	<b>Pc.</b>
	<b>3233-2720E</b>	<b>Lateral support right size 2 complete</b>	<b>1</b>	<b>Pc.</b>
2	3231-2712	Pad hinge	2	Pc.
3	1039-0003	Screw for plastic, pan head with flange 4x12	2	Pc.
4	1501-0003	Hook strap black 25mm self adhesive glue	0,1	m
5	3201-2721	Lateral support formed part right size 1	1	Pc.
	3203-2721	Lateral support formed part right size 2	1	Pc.

*For Up holstery see page 57.*

# Spare parts

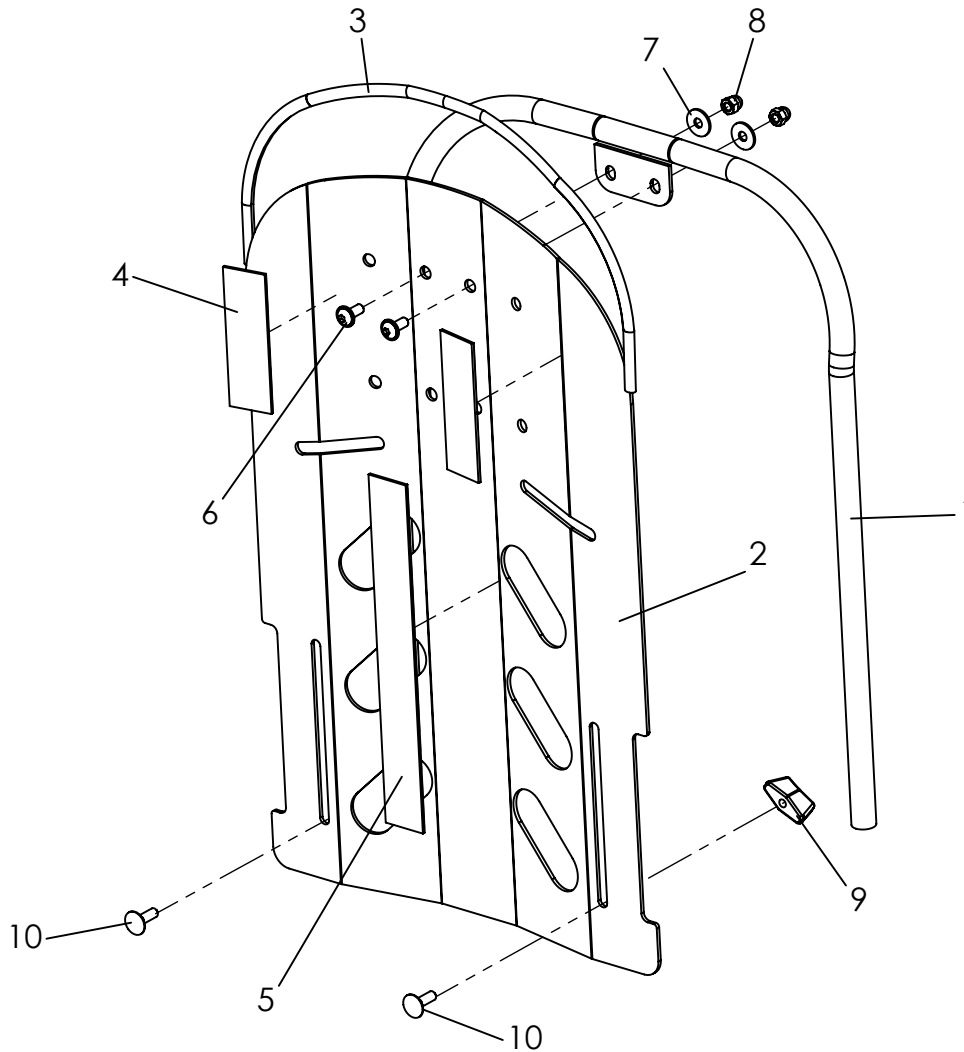
# Aluminum version



Pos	Article number	Articel description	Quantity	Unit
<b>1-4</b>	<b>3231-2730E</b>	<b>Lateral support left size 1 complete, in alloy</b>	<b>1</b>	<b>Pc.</b>
	<b>3233-2730E</b>	<b>Lateral support left size 2 complete, in alloy</b>	<b>1</b>	<b>Pc.</b>
	<b>3235-2710E</b>	<b>Lateral support left size 2XL complete, in alloy</b>	<b>1</b>	<b>Pc.</b>
1	3201-2714-032	Lateral support formed part left size 1, in alloy	1	Pc.
	3203-2714-032	Lateral support formed part left size 2,, in alloy	1	Pc.
	3235-2711-032*	Lateral support formed part left size 2XL, in alloy	1	Pc.
<b>2-5</b>	<b>3231-2740E</b>	<b>Lateral support right size 1 complete, in alloy</b>	<b>1</b>	<b>Pc.</b>
	<b>3233-2740E</b>	<b>Lateral support right size 2 complete, in alloy</b>	<b>1</b>	<b>Pc.</b>
	<b>3235-2720E</b>	<b>Lateral support right size 2XL complete, in alloy</b>	<b>1</b>	<b>Pc.</b>
2	3231-2712	Pad hinge	2	Pc.
3	1039-0001	Screw for plastic, pan head with flange 4x10	2	Pc.
4	1501-0003	Hook strap black 25mm self adhesive glue	0,1	m
5	3201-2724-032	Lateral support formed part right size 1,, in alloy	1	Pc.
	3203-2724-032	Lateral support formed part right size 2, in alloy	1	Pc.
	3235-2721-032*	Lateral support formed part right size 2XL, in alloy	1	Pc.
	*1039-0001	when 2XL is needed, Screw for plastic, pan head with flange 4x10, Pos.3	3	Pc.
	*3231-2712	when 2XL is needed ,Pad hinge, Pos. 2	3	Pc.

For Up holstery see page 57.

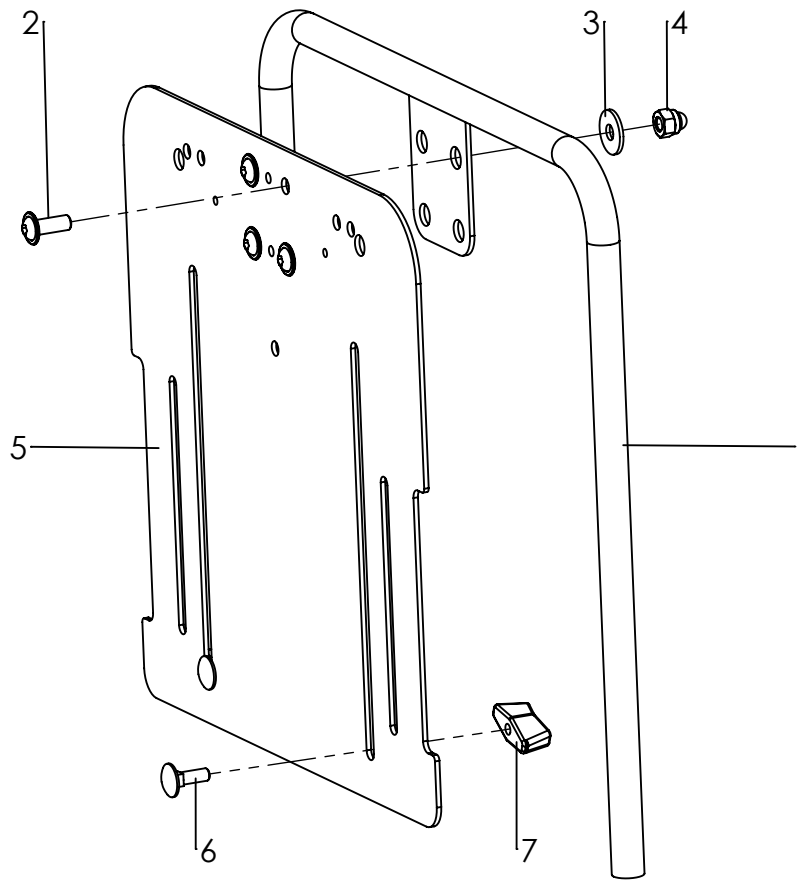
# Spare parts



Pos	Article number	Articel description	Quantity	Unit
<b>1-10</b>	<b>3201-2800E-xxx</b>	<b>Back insert size 1, complete</b>	<b>1</b>	<b>Pc.</b>
	<b>3203-2800E-xxx</b>	<b>Back insert size 2 and 2XL, complete</b>	<b>1</b>	<b>Pc.</b>
1	3201-2810-xxx	Back insert size 1	1	Pc.
	3203-2810-xxx	Back insert size 2 and 2XL	1	Pc.
2-5	3201-2822E-xxx	Back panel size 1, with conectors	1	Pc.
	3203-2822E-xxx	Back panel size 2, with conectors	1	Pc.
2	3201-2822-xxx	Back panel size 1	1	Pc.
	3203-2822-xxx	Back panel size 2	1	Pc.
3	1144-0001	KS-Profil PVC	0,5	m
4	1502-0003	Hook strap self adhesive A clue 25x200 25x200	0,2	m
5	1502-0003	Hook strap self adhesive A clue 25x200 25x200	0,2	m
6	1030-0512	Button head socket screw with flange M5x12	2	Pc.
7	1055-0005	Washer A5,3	2	Pc.
8	1044-0005	Hexagonal domed cap nut self-locking M5	2	Pc.
9	1123-0500	Wing nut PA black M5 M5 BPF 20	2	Pc.
10*	1026-0516	Mushroom head square neck bolt M5x16, <i>with frame colour, 024</i>	2	Pc.
	1026-0516-033	Mushroom head square neck bolt black M5x16, <i>with frame colour, 032</i>	2	Pc.

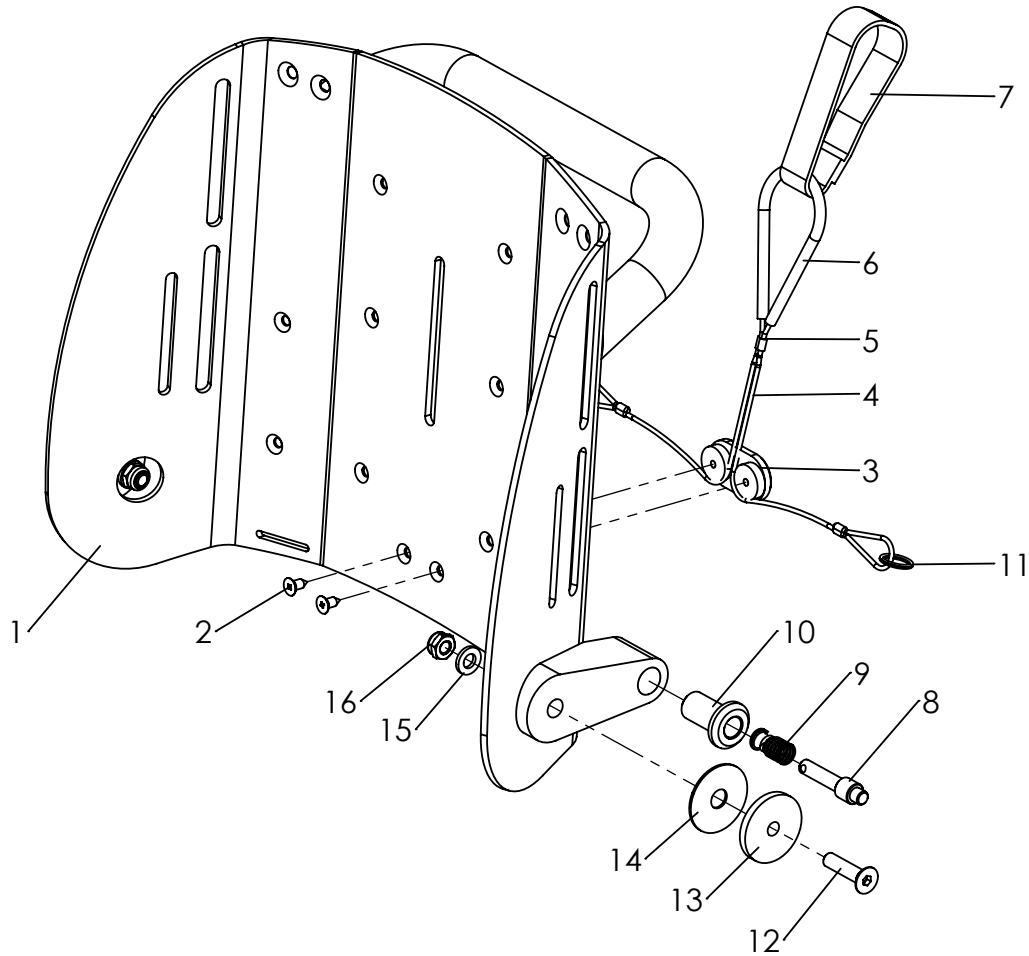
\* Screw`s change with frame colour!

# Spare parts



Pos	Article number	Articel description	Quantity	Unit
1-7	<b>3201-3800E-xxx</b>	<b>OT Backinsert size 1</b>	<b>1</b>	<b>Pc.</b>
	<b>3203-3800E-xxx</b>	<b>OT Backinsert size 2</b>	<b>1</b>	<b>Pc.</b>
1-4	3201-3810-xxx	OT Back frame size 1 with fasteners	1	Pc.
	3203-3810-xxx	OT Back frame size 2 with fasteners	1	Pc.
2	1030-0616	Button head socket screw with flange M6x16	4	Pc.
3	1055-0006	Washer A6,4	4	Pc.
4	1044-0006	Hexagonal domed cap nut self-locking M6	4	Pc.
5-7	3201-3822-xxx	OT Back panel size 1 with fasteners	1	Pc.
	3203-3822-xxx	OT Back panel size 2 with fasteners	1	Pc.
6	1026-0516	Mushroom head square neck bolt M5x16 <i>with framecolour 024</i>	2	Pc.
	1026-0516-033	Mushroom head square neck bolt M5x16 <i>with framecolour 032</i>	2	Pc.
7	1123-0500	Wing nut PA black M5	2	Pc.

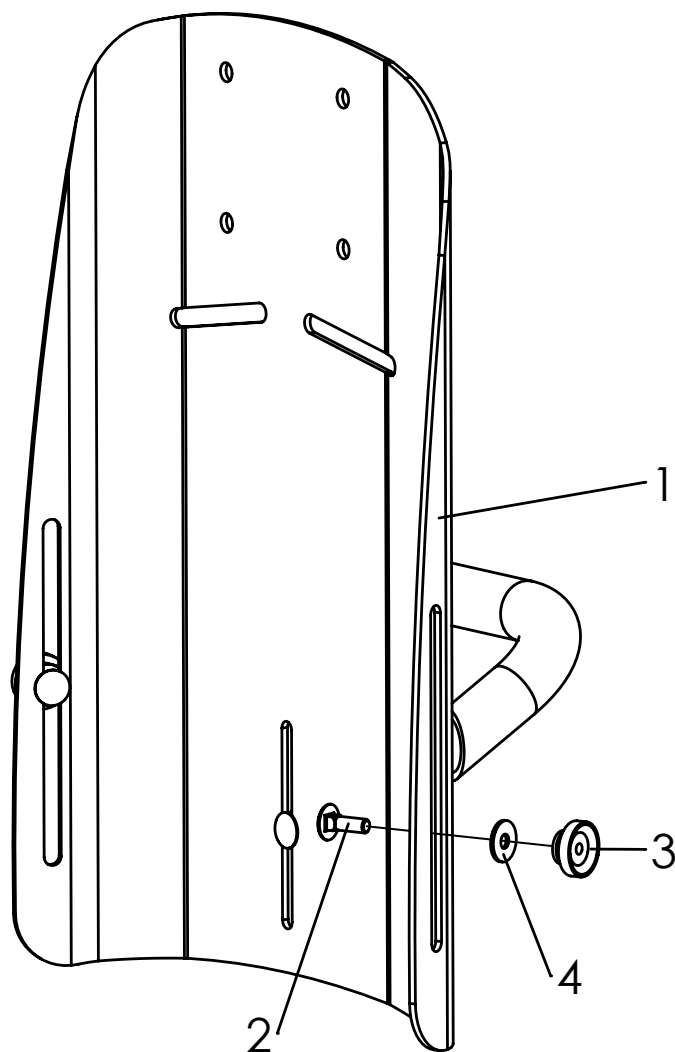
# Spare parts



Pos	Article number	Articel description	Quantity	Unit
<b>1-16</b>	<b>3230-2301E-032</b>	<b>Back base Mini, complete</b>	<b>1</b>	<b>Pc.</b>
1	3230-2310-032	Back panal Mini	1	Pc.
<b>2-7</b>	<b>3230-2325</b>	<b>Release cable for backrest recline size Mini</b>	<b>1</b>	<b>Set</b>
2	1039-0004-033	Countersunk sheet metal screw 3.9x9.5 mm	2	Pc.
3	3230-2324	Diverter block back adjustment	1	Pc.
4	3230-1129	Feinstseil 1,2x1,8 mm PA12 natur, ca 650mm lang	0,7	Pc.
5	1089-0005	Wire-rope 1,2x1,8 mm	3	Pc.
6	1143-0010	Plastick hoseblack, 180mm long	0,2	m
7	1500-0014	Back to Back on roll black 25 mm	0,2	m
8	3201-7530	Lock pin	2	Pc.
9	1131-0036	Compression spring D-127d 0,8x8,3x29	2	Pc.
10	3230-2322	Bolt socket	2	Pc.
11	1129-0036	key ring 16x1,6	2	Pc.
12	1024-0625-033	Hexagon socket countersunk head screw M6x25	2	Pc.
13	3230-2321-033	Axel bushing	2	Pc.
14	1113-0065	Washer PA nature 8,4x30x1 mm	2	Pc.
15	1051-0006	Washer A6,4	2	Pc.
16	1042-0006	Hexagon nut self-locking M6	2	Pc.



# Spare parts



Pos	Article number	Articel description	Quantity	Unit
<b>1-3</b>	<b>3230-2302E-032</b>	<b>Back insert Mini, complete</b>	<b>1</b>	<b>Pc.</b>
1	3230-2331-032	Back insert Mini,	1	Pc.
2	1026-0516-033	Mushroom head square neck bolt black M5x16	3	Pc.
3	1124-0500	Knurled nut PA black M5	3	Pc.
4	1055-0005-033	Washer A5,3	3	Pc.
	1502-0003	Hock strap self adhesive, 25mm, 6 cm long, 6 St.	0,4	m
	1502-0003	Hock strap self adhesive, 25mm, 10 cm long, 1 St.	0,1	m

## Spare parts

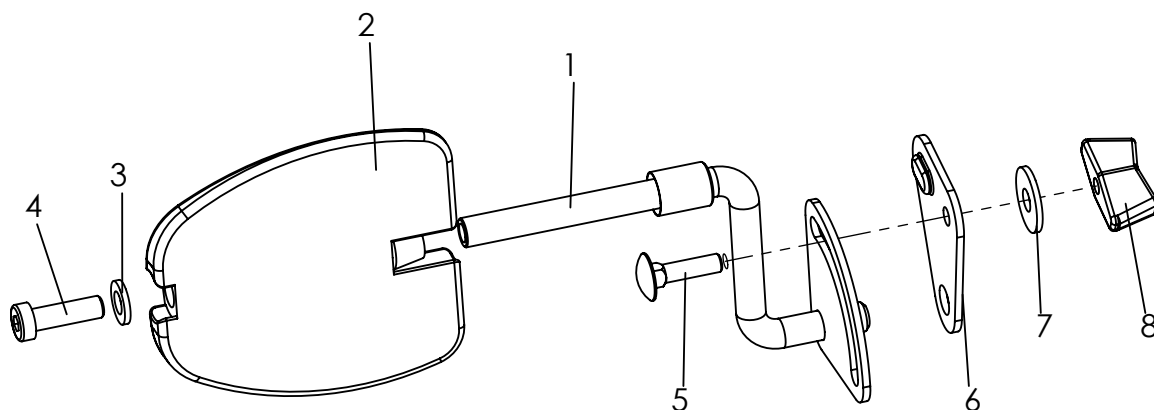


Pos	Article number	Articel description	Quantity	Unit
	<b>3230-5100E_xxx</b>	<b>Upholstery Mini</b>	<b>1</b>	<b>Pc.</b>
<b>1-4</b>	<b>3231-5100E-xxx</b>	<b>Upholstery size 1</b>	<b>1</b>	<b>Pc.</b>
	<b>3233-5100E-xxx</b>	<b>Upholstery size 2</b>	<b>1</b>	<b>Pc.</b>
	<b>3235-5100E-xxx</b>	<b>Upholstery size 2XL</b>	<b>2</b>	<b>Pc.</b>
<b>1</b>	3230-5120E-xxx	Back upholstery, Mini	<b>1</b>	<b>Pc.</b>
	3231-5120E-xxx	Back upholstery, size 1	1	Pc.
	3233-5120E-xxx	Back upholstery, size 2	1	Pc.
	3235-5120E-xxx	Back upholstery, size 2XL	1	Pc.
<b>2</b>	3201-5160E-xxx	Lateral upholstery size 1	1	Pair
	3203-5160E-xxx	Lateral upholstery size 2	1	Pair
	3235-5160E-xxx	Lateral upholstery size 2XL	1	Pair
<b>3</b>	3230-5140E-xxx	Seat upholstery size Mini	1	Pc.
	3231-5140E-xxx	Seat upholstery size 1	1	Pc.
	3234-5140-xxx	Seat upholstery size 2	1	Pc.
	3235-5140-xxx	Seat upholstery size 2XL	1	Pc.
<b>4</b>	3231-9500E-xxx	Side panels matching the upholstery color	1	Pair
<b>5</b>	3231-2920-323	Upholstery thigh support size 1 and Mini, iron grey	1	Pair
	3233-2920-323	Upholstery thigh support size 2, iron grey	1	Pair
	3235-2920-323	Upholstery thigh support size 2XL, iron grey	1	Pair
<b>6</b>	3230-5150-xxx	Hip upholstery Mini	1	Pair
	3201-5150E-xxx	Hip upholstery size 1	1	Pair
	3203-5150E-xxx	Hip upholstery size 2	1	Pair
	3235-5150E-xxx	Hip upholstery size 2XL	1	Pair

*With order replace, xxx with colour code!*

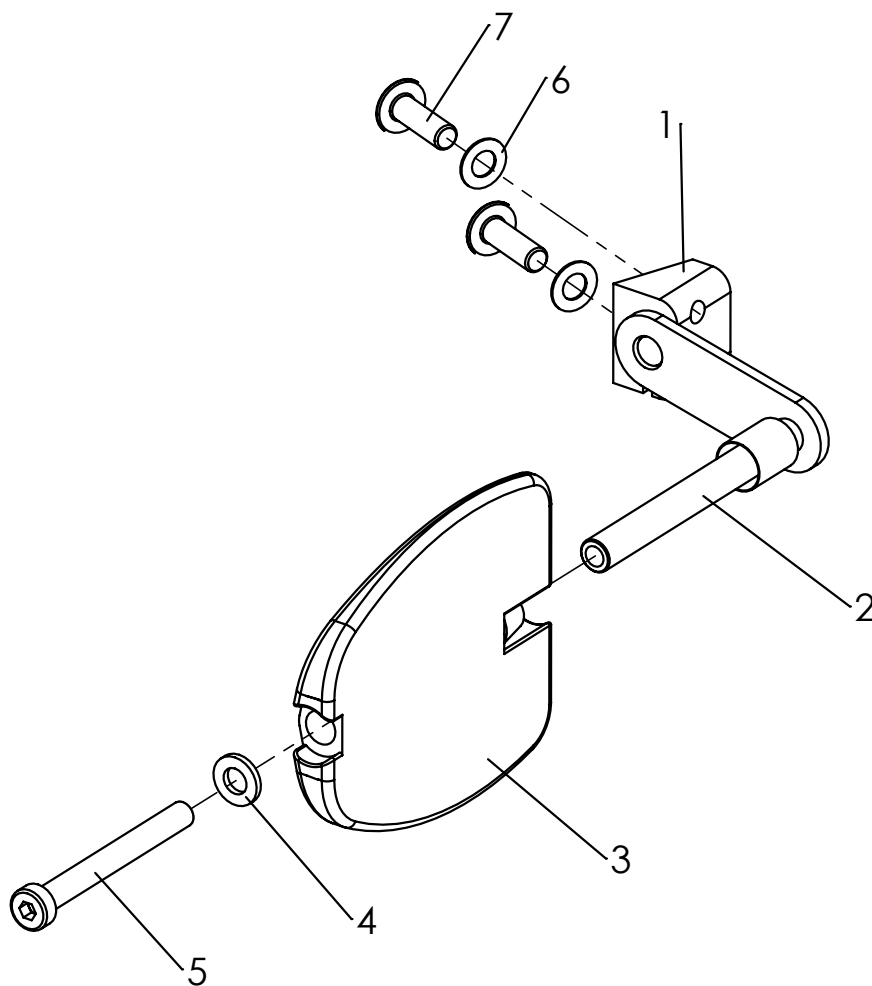
338	339	340	344	345
sand / irongrey	turquoise / irongrey	pink / irongrey	black diamond / irongrey	red / irongrey

# Spare parts

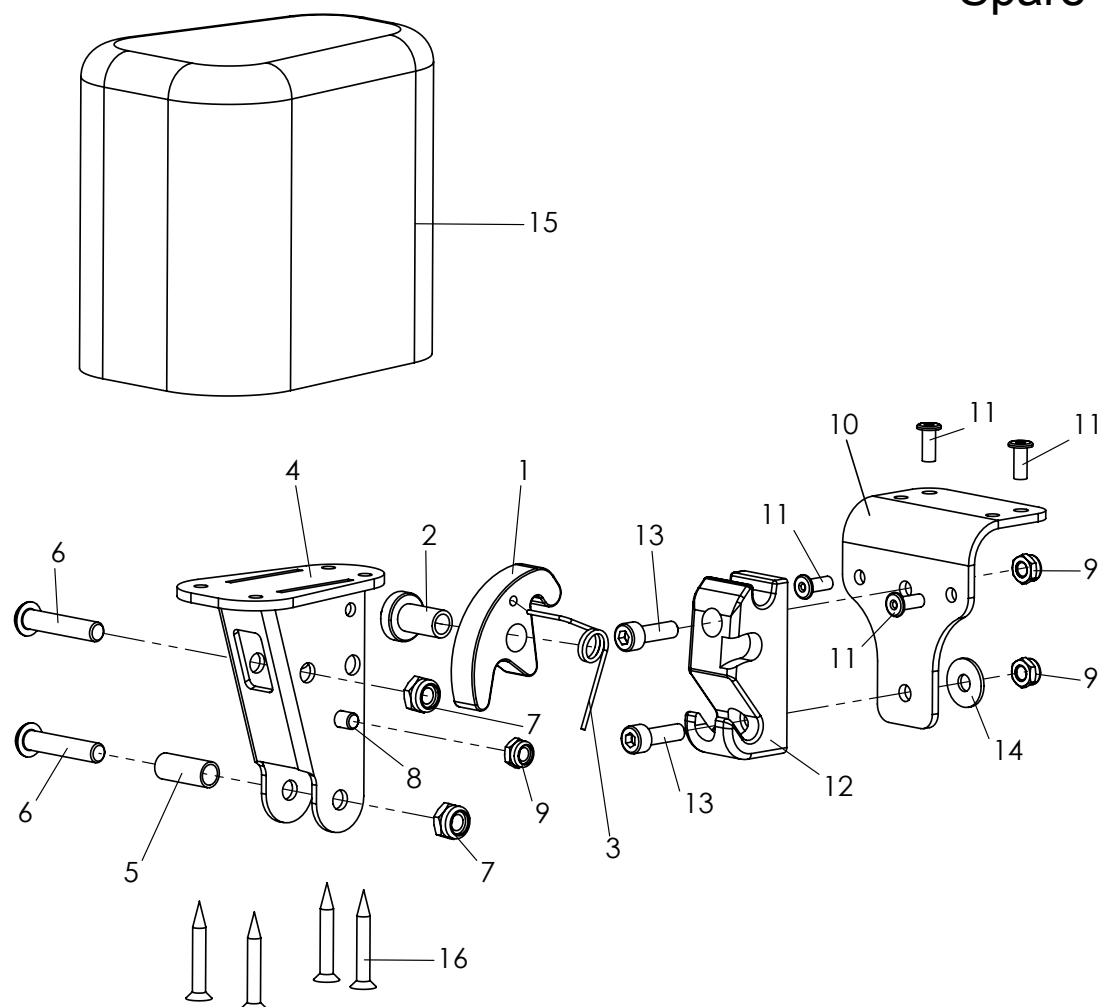


Pos	Article number	Articel description	Quantity	Unit
<b>1-8</b>	<b>3231-7700</b>	<b>Trunk suport size 1, without upholstery</b>	<b>1</b>	<b>Pair</b>
	<b>3233-7700</b>	<b>Trunk suport size 2, without upholstery</b>	<b>1</b>	<b>Pair</b>
	<b>3235-7700</b>	<b>Trunk suport size 3, without upholstery</b>	<b>1</b>	<b>Pair</b>
1	3201-7720-008	Pad crank right size 1	1	Pc.
	3201-7710-008	Pad crank left size 1	1	Pc.
2	3231-7730	Pad size 1	2	Pc.
	3233-7730	Pad size 2	2	Pc.
	3235-7730	Pad size 3	2	Pc.
3	1051-0006	Washer A6,4	2	Pc.
4	1022-0620	Hexagon socket head cap screw M6x20	2	Pc.
	1022-0640	Cylinder head screw M6x40	2	Pc.
	1022-0650	Hexagon socket head cap screw M6x50	2	Pc.
5	1026-0520	Mushroom head square neck bolt M5x20	2	Pc.
6	3201-7717-008	Bracket of trunk support right	1	Pc.
	3201-7716-008	Bracket of trunk support left	1	Pc.
7	1055-0006	Washer A6,4	2	Pc.
8	1123-0500	Wing nut PA black M5	2	Pc.
	3231-7760-323	Upholstery Gr. 1, iron grey	2	Pc.
	3233-7760-323	Upholstery Gr. 2 iron grey	2	Pc.
	3203-7760-323	Upholstery Gr. 3 iron grey	2	Pc.

## Spare parts

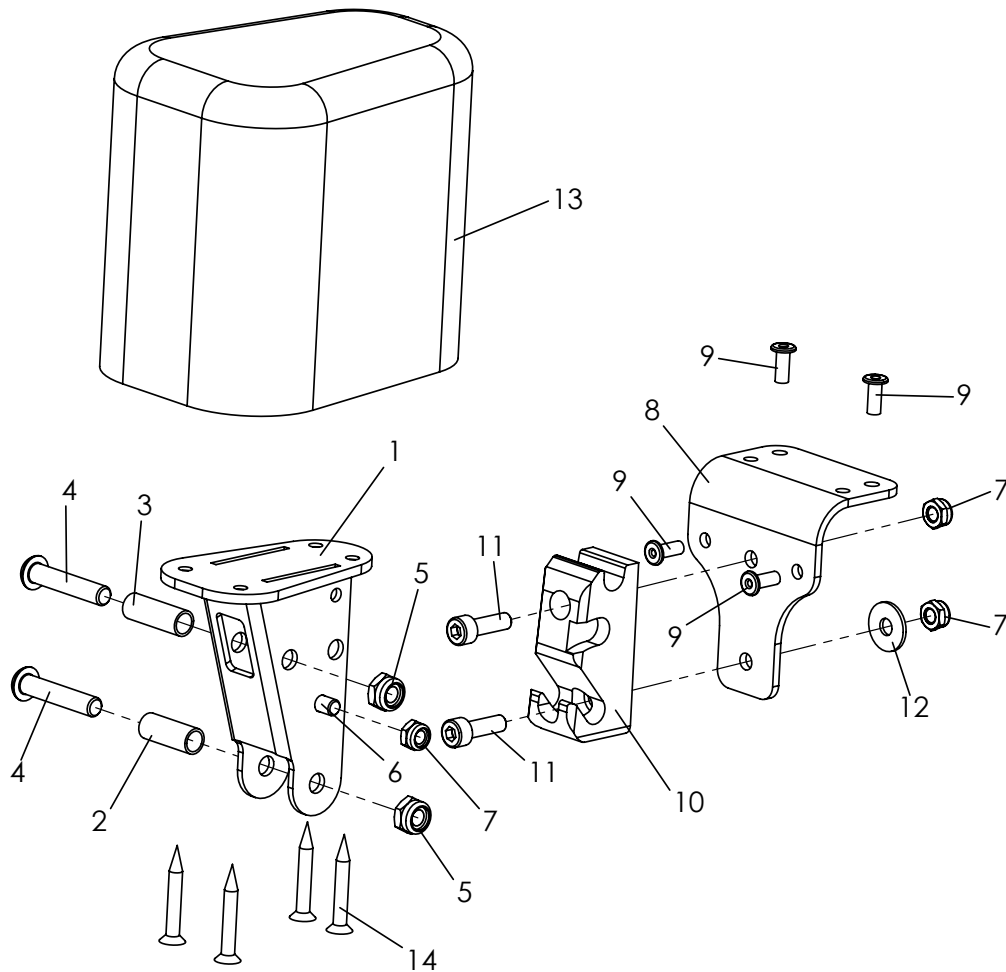


Pos	Article number	Articel description	Quantity	Unit
<b>1-7</b>	<b>3230-7700</b>	<b>Trunk support, size Mini with out upholstery</b>	<b>1</b>	<b>Pair</b>
1	3230-7721-007	Clamp base Mini	2	Pc.
2	3230-7710	Swivel lever Thoraxpelotte Mini	2	Pc.
3	3231-7730	Pad size 1	2	Pc.
4	1051-0006	Washer A6,4	2	Pc.
5	1022-0620	Hexagon socket head cap screw M6x20	2	Pc.
6	1052-0006	Spring washer B6	4	Pc.
7	1030-0620	Button head socket screw with flange M6x20	4	Pc.



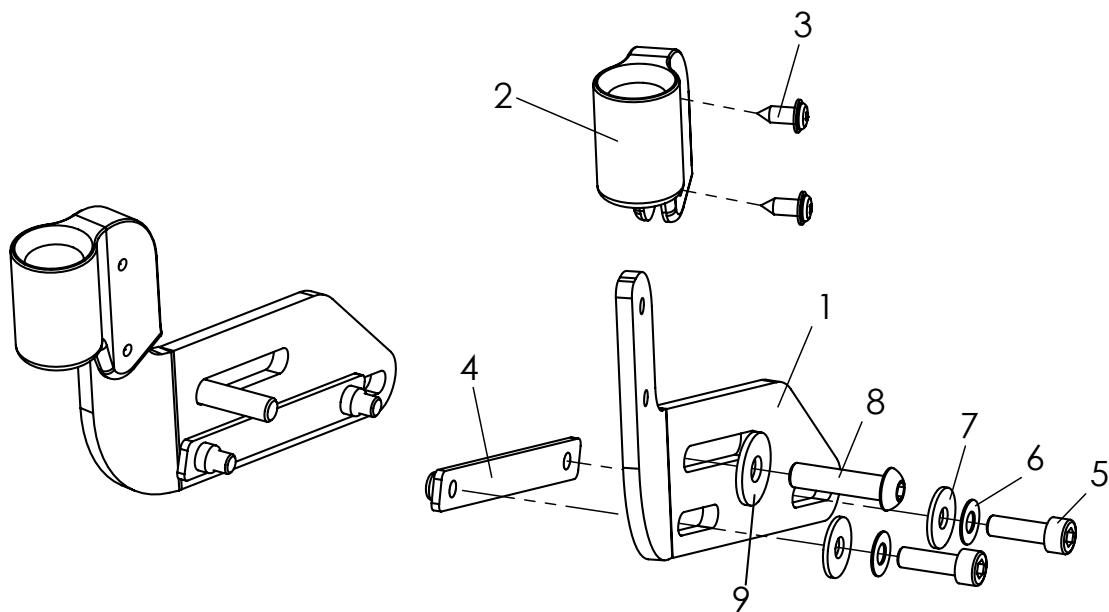
Pos	Article number	Articel description	Quantity	Unit
<b>1-16</b>	<b>3231-7800</b>	<b>Abduction block size 1 swing&amp;detachable, without cover</b>	<b>1</b>	<b>Pc.</b>
	<b>3231-7900</b>	<b>Abduction block size 2 swing&amp;detachable, without cover</b>	<b>1</b>	<b>Pc.</b>
	<b>3233-7800</b>	<b>Abduction block size 3 swing&amp;detachable, without cover</b>	<b>1</b>	<b>Pc.</b>
1	3231-7841	Arresting clamp	1	Pc.
2	3231-7842	Bearing arresting clamp	1	Pc.
3	1133-0020	Leg spring 1,25 x 9,25 x 2,25	1	Pc.
4	3231-7820-032	A-wedge support	1	Pc.
5	1114-0013	Bushing zp 8x0,8x20	1	Pc.
6	1029-0630	Button head socket screw M6x30	2	Pc.
7	1042-0006	Hexagon nut self-locking 985 M6	2	Pc.
8	1021-0508	Cylinder head screw M5x8	1	Pc.
9	1042-0005	Hexagon nut self-locking M5	3	Pc.
10	3231-7831-032	Base plate abduction block receiver	1	Pc.
11	1062-0410	Blind rivet F4x10	4	Pc.
12	3231-7832	Arresting part for A-wedge	1	Pc.
13	1021-0516	Hexagon socket head cap screw M5x16	2	Pc.
14	1055-0005	Washer A5,3	1	Pc.
15	3201-7810E	Wood wedge size 1 with PU-foam	1	Pc.
	3201-7910E	Wood wedge size 1 with PU-foam	1	Pc.
	3203-7810E	Wood wedge size 1 with PU-foam	1	Pc.
16	1028-0430	Pressboard screw countersunk head 4x30	4	Pc.
	3201-7840-323	Cover for abduction block size 1 iron grey	1	Pc.
	3201-7940-323	Cover abduction block size 2 iron grey	1	Pc.
	3203-7840-323	Cover for abduction block size 3 iron grey	1	Pc.

# Spare parts



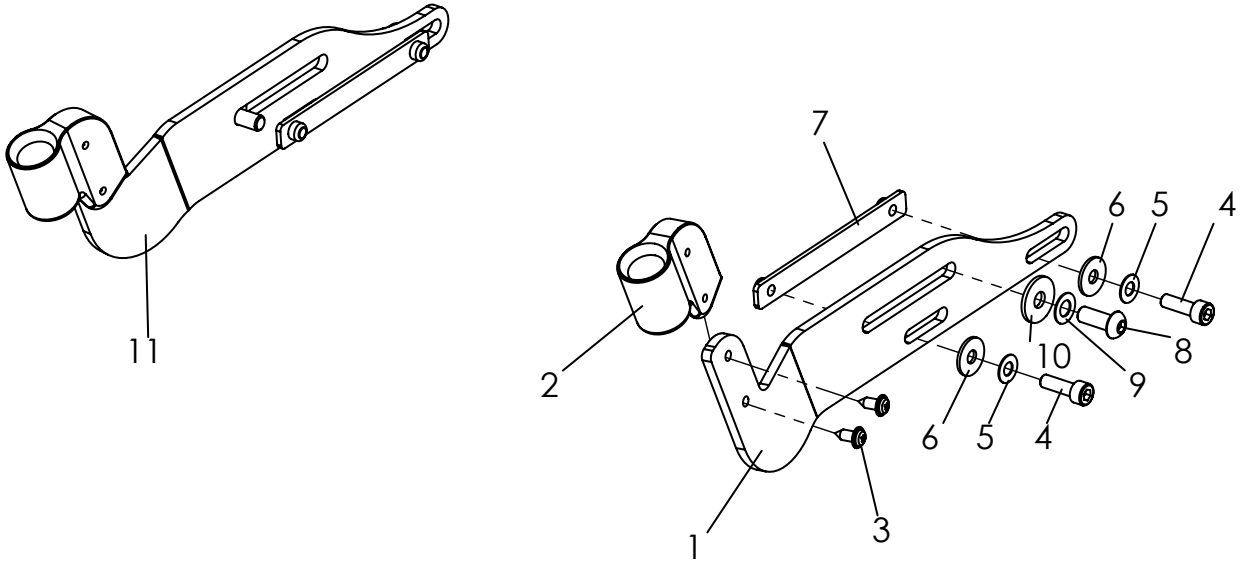
Pos	Article number	Articel description	Quantity	Unit
<b>1-14</b>	<b>3231-7801</b>	<b>Bingo-Evo abduction block size 1 fixed, with out cover</b>	<b>1</b>	<b>Pc</b>
	<b>3231-7901</b>	<b>Bingo-Evo abduction block size 2 fixed, with out cover</b>	<b>1</b>	<b>Pc</b>
	<b>3233-7801</b>	<b>Bingo-Evo abduction block size 3 fixed, with out cover</b>	<b>1</b>	<b>Pc</b>
1	3231-7820-032	A-wedge support	1	Pc
2	1114-0013	Bushing zp 8x0,8x20	1	Pc
3	1114-0012	Bushing zp 8x0,8x22,5	1	Pc
4	1029-0630	Button head socket screw M6x30	2	Pc
5	1042-0006	Hexagon nut self-locking M6	2	Pc
6	1021-0508	Cylinder head screw M5x8	1	Pc
7	1042-0005	Hexagon nut self-locking M5	3	Pc
8	3231-7831-032	Base plate abduction block receiver	1	Pc
9	1062-0410	Blind rivet F4x10	4	Pc
10	3231-7832	Arresting part for A-wedge	1	Pc
11	1021-0516	Hexagon socket head cap screw M5x16	2	Pc
12	1055-0005	Washer A5,3	1	Pc
13	3201-7810E	Wood wedge size 1 with PU-foam	1	Pc
	3201-7910E	Wood wedge size 2 with PU-foam	1	Pc
	3203-7810E	Wood wedge size 3 with PU-foam	1	Pc
14	1028-0430	Pressboard screw countersunk head 4x30	4	Pc
	3201-7840-323	Cover for abduction block size 1 iron grey	1	Pc
	3201-7940-323	Cover abduction block size 2 iron grey	1	Pc
	3203-7840-323	Cover for abduction block size 3 iron grey	1	Pc

# Spare parts



Pos	Article number	Articel description	Quantity	Unit
<b>1-10</b>	<b>3232-2203-032</b>	<b>Retainer for accessories grab rail or therapy tray</b>	<b>1</b>	<b>Pair</b>
1	3232-2232-032	Holder for accessories retainer left side	1	PC.
	3232-2242-032	Holder for accessories retainer right side	1	PC.
2	3231-2232	Retainer for accessories mould part	2	PC.
3	1039-0001	Screw for plastic, cross rcessed pan head w. flange 4x10	2	PC.
4	3232-2235	Threaded plate black galvanized	2	PC.
5	1021-0516-033	Hexagon socket head cap screw black M5x16	4	PC.
6	1052-0005-033	Spring washer B5 black	4	PC.
7	1055-0005-033	Washer A5,3 black	4	PC.
8	1029-0625-033	Button head socket screw black M6x25	2	PC.
9	1055-0006-033	Washer A6,4	2	PC.

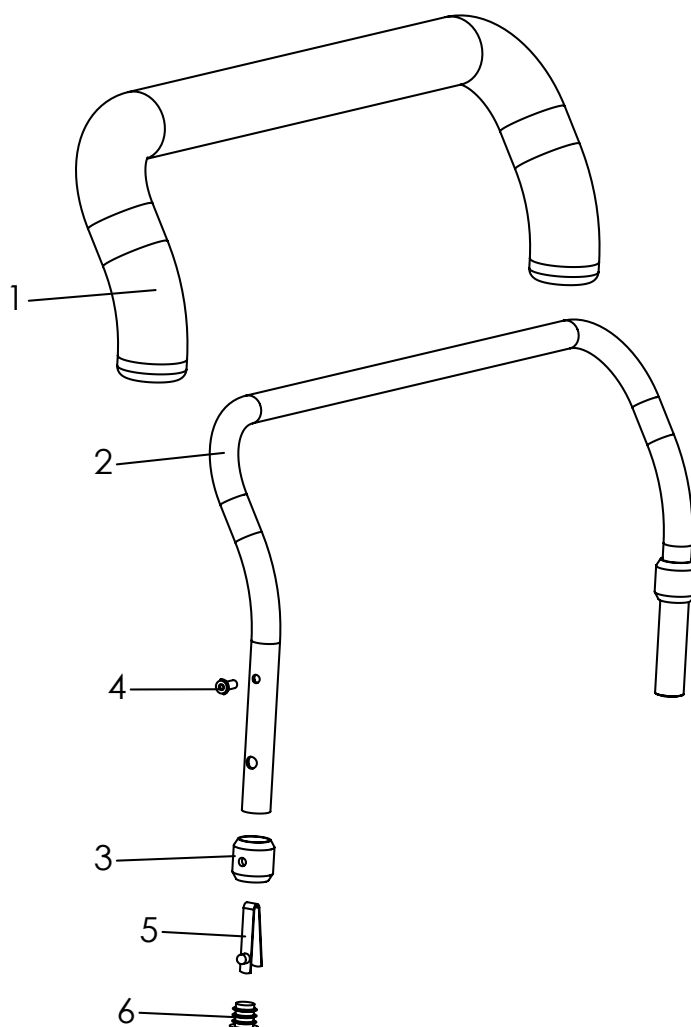
# Spare parts



Pos	Article number	Articel description	Quantity	Unit
<b>1-7</b>	<b>3230-2201</b>	<b>Retainer Mini, for accessories grab rail or therapy tray</b>	<b>1</b>	<b>Set</b>
1	3230-2232	Holder for accessories retainer Mini, left side	1	Pc.
	3230-2242	Holder for accessories retainer Mini, right side	1	Pc.
2	3231-2232	Retainer for accessories mould part	2	Pc.
3	1039-0001	Screw for plastic, cross rcessed pan head w. flange 4x10	4	Pc.
4	1021-0516-033	Hexagon socket head cap screw black M5x16	4	Pc.
5	1052-0005-033	Spring washer B5	4	Pc.
6	1055-0005-033	Washer A5,3	4	Pc.
7	3232-2235	Threaded plate black galvanized	2	Pc.
8	1029-0625-033	button head socket screw black M6x25	2	St
9	1052-0006-033	Spring washer B6 black	2	St
10	1055-0006-033	Washer A6,4 black	2	St

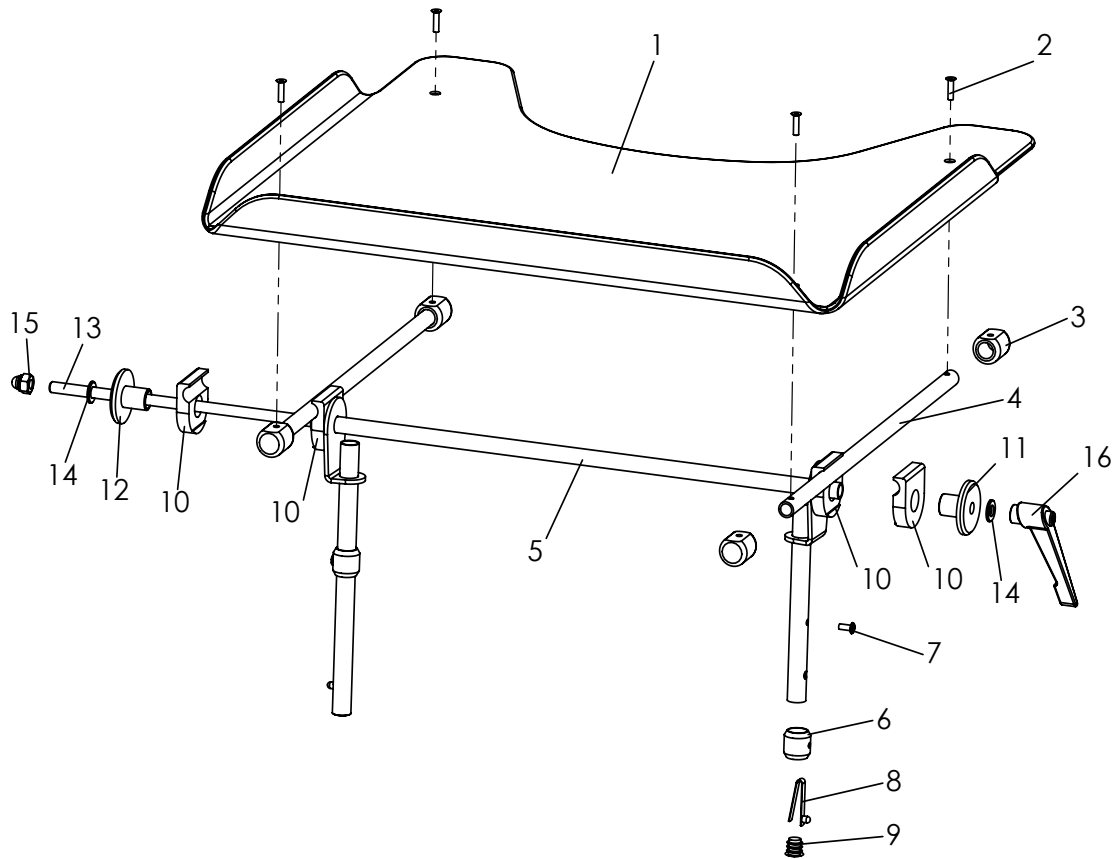


# Spare parts



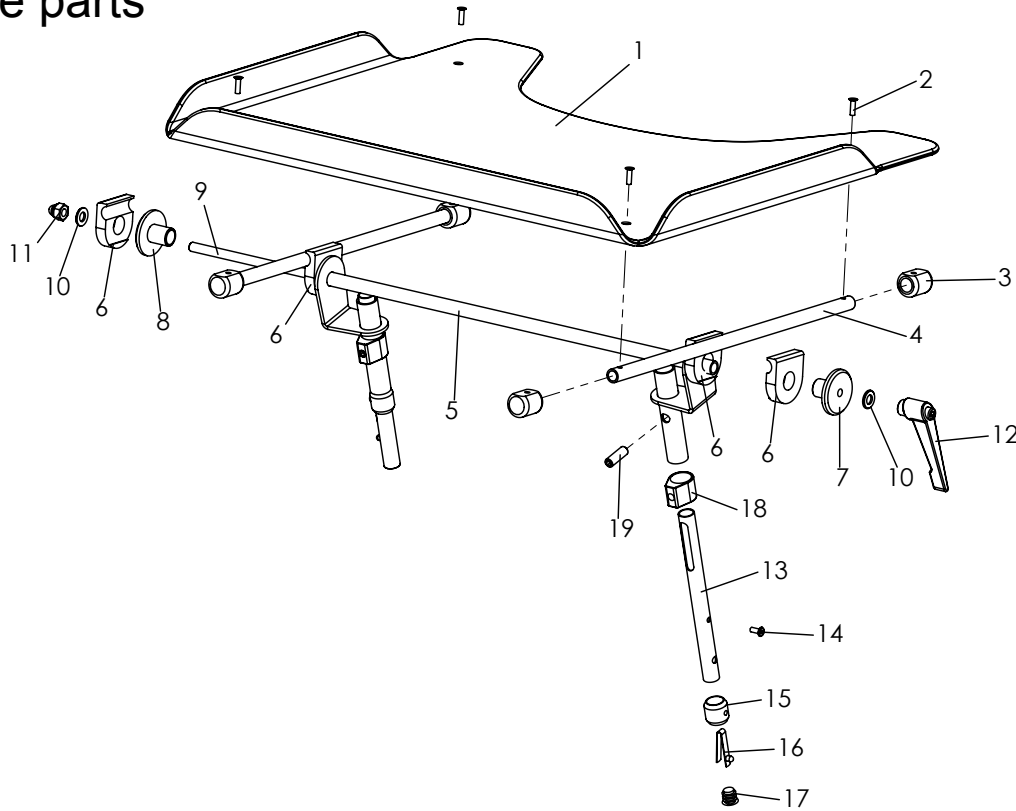
Pos	Article number	Articel description	Quantity	Unit
<b>1-6</b>	<b>3230-8100</b>	<b>Grab rail with upholstery Mini</b>	<b>1</b>	<b>Pc.</b>
	<b>3231-8100</b>	<b>Grab rail with upholstery size 1</b>	<b>1</b>	<b>Pc.</b>
	<b>3233-8100</b>	<b>Grab rail with upholstery size 2</b>	<b>1</b>	<b>Pc.</b>
1	3231-8110	Bend Tube for grab rail size 1	1	Pc.
	3233-8110	Bend Tube for grab rail size 2	1	Pc.
2	3231-8130	Upholstery foam material size 1, (60 cm)	1	Pc.
	3203-8130	Upholstery foam material size 2 (70 cm)	1	Pc.
3	3201-8120	Bushing	2	Pc.
4	1062-0408	Blind rivet St/St DIN/ISO 7337 F4x8	2	Pc.
5	1134-0005	Snap button A 102	2	Pc.
6	1141-0001	Ribbed insert SFL 14x0,8-2	2	Pc.
	3230-8140-323	Cover of grab rail Mini, iron grey	1	Pc.
	3231-8140-323	Cover of grab rail size 1, iron grey	1	Pc.
	3233-8140-323	Cover of grab rail size 2, iron grey	1	Pc.

# Spare parts



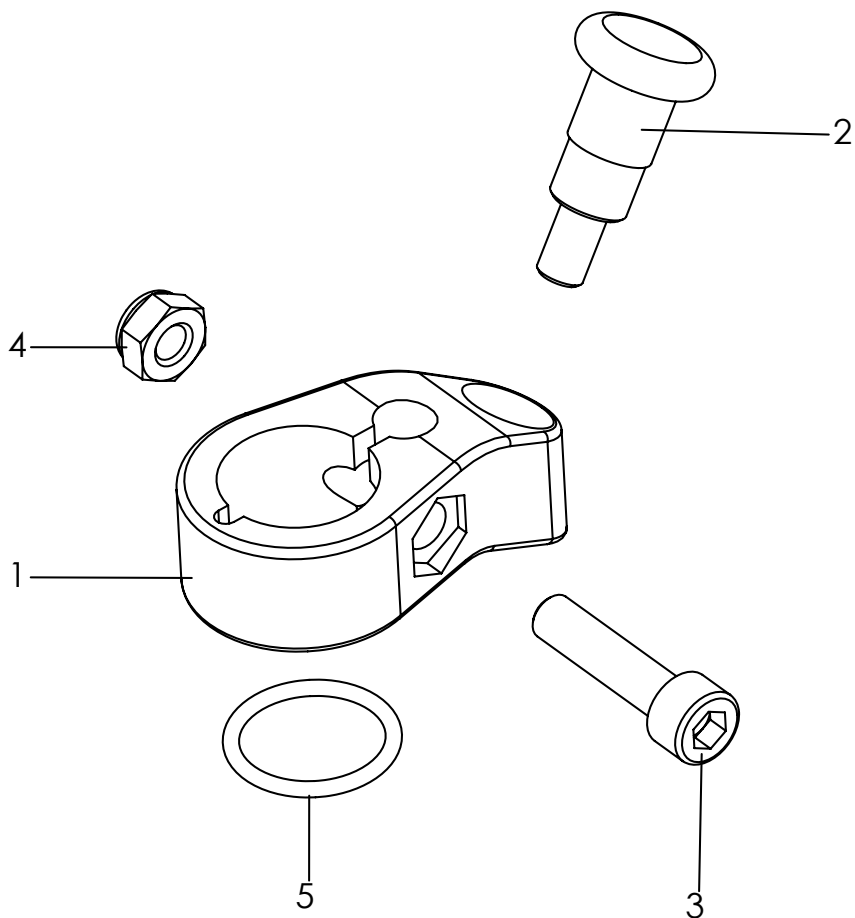
Pos	Article number	Articel description	Quantity	Unit
<b>1-16</b>	<b>3231-8200</b>	<b>Therapy tray size 1, clear</b>	<b>1</b>	<b>Pc.</b>
<b>1-16</b>	<b>3233-8200</b>	<b>Therapy tray size 2, clear</b>	<b>1</b>	<b>Pc.</b>
<b>1-16</b>	<b>3230-8200</b>	<b>Therapy tray Mini, clear</b>	<b>1</b>	<b>Pc.</b>
1	3231-8290	Tray plate only, clear	1	Pc.
	3231-8280	Tray plate clear, with rails	1	Pc.
	<b>3231-8201</b>	<b>Therapy tray size 1, gray</b>	<b>1</b>	<b>Pc.</b>
	<b>3233-8201</b>	<b>Therapy tray size 2, gray</b>	<b>1</b>	<b>Pc.</b>
	<b>3230-8201</b>	<b>Therapy tray Mini, gray</b>	<b>1</b>	<b>Pc.</b>
	3231-8291	Tray plate only, grey	1	Pc.
	3231-8281	Tray plate gray, with rails	1	Pc.
2	1063-0410	Blind rivet S4x10	4	Pc.
3	3201-8280	Bearing block	4	Pc.
4	3201-8270	Rail	2	Pc.
5-9	3231-8210E-032	Table base frame, size 1	1	Pc.
	3233-8210E-032	Table base frame, size 2	1	Pc.
	3230-8210E-032	Table base frame, size 3	1	Pc.
6	3201-8120	Bushing	2	Pc.
7	1062-0410	Blind rivet F4x10	2	Pc.
8	1134-0005	Snap button A 102	2	Pc.
9	1141-0001	Ribbed insert SFL 14x0,8-2	2	Pc.
10	3201-8230	Clamp half	4	Pc.
11	3201-8240	Clamp disk D 8,5	1	Pc.
12	3201-8250	Clamp disk M8	1	Pc.
13	1039-0002	Thread M8x47,2mm	0,47	m
14	1051-0008	Washer A8,4	2	Pc.
15	1044-0008	Hexagonal domed cap nut self-locking M8	1	Pc.
16	1121-0800	Locking lever PA black M8	1	Pc.

# Spare parts



Pos	Article number	Articel description	Quantity	Unit
<b>1-16</b>	<b>3230-8202</b>	<b>Therapy tray Mini, clear, height adjustable</b>	<b>1</b>	<b>Pc.</b>
	<b>3231-8202</b>	<b>Therapy tray size 1, clear, height adjustable</b>	<b>1</b>	<b>Pc.</b>
	<b>3233-8202</b>	<b>Therapy tray size 2, clear, height adjustable</b>	<b>1</b>	<b>Pc.</b>
1	3231-8290	Tray plate only, clear	1	Pc.
1-4	3231-8280	Tray plate clear, with rails	1	Pc.
	<b>3230-8203</b>	<b>Therapy tray Mini, gray, height adjustable</b>	<b>1</b>	<b>Pc.</b>
	<b>3231-8203</b>	<b>Therapy tray size 1, gray, height adjustable</b>	<b>1</b>	<b>Pc.</b>
	<b>3233-8203</b>	<b>Therapy tray size 2, gray, height adjustable</b>	<b>1</b>	<b>Pc.</b>
	3231-8291	Tray plate only, grey	1	Pc.
1-4	3231-8281	Tray plate gray, with rails	1	Pc.
2	1063-0416	Blind rivet S4x10	4	Pc.
3	3201-8280	Bearing block	4	Pc.
4	3201-8270-016	Rail	2	Pc.
5	3230-8220-032	Table base frame, Mini, height adjustable	1	Pc.
	3231-8220-032	Table base frame, size 1, height adjustable	1	Pc.
	3233-8220-032	Table base frame, size 2, height adjustable	1	Pc.
6	3201-8230	Clamp half	4	Pc.
7	3201-8250	Clamp disk M8	1	Pc.
8	3201-8240	Clamp disk D 8,5	1	Pc.
9	1039-0002	Thread rod M8x1000	0,47	m
10	1051-0008	Washer A8,4	2	Pc.
11	1044-0008	Hexagonal domed cap nut self-locking M8	1	Pc.
12	1121-0800	Locking lever PA black M8	1	Pc.
13-17	3231-8215E	Support tube, adjustable left	1	Pc.
	3231-8216E	Support tube, adjustable right	1	Pc.
14	1062-0408	Blind rivet F4x8	2	Pc.
15	3201-8120	Bushing	2	Pc.
16	1134-0005	Snap button A 102	2	Pc.
17	1141-0001	Ribbed insert SFL 14x0,8-2	2	Pc.
18	3201-8221	Clamp ring for height adjustable tray	2	Pc.
19	1031-0825	Hexagon socket set screw M8x25	2	Pc.

# Spare parts



Pos	Article number	Articel description	Quantity	Unit
<b>1-5</b>	<b>3202-7100</b>	<b>Swivel lock, for two castor fork`s</b>	<b>1</b>	<b>Set</b>
1	3202-7110	Swivel lock housing	2	Pc.
2	1127-0009	Lock pin, with interlocksystem	2	Pc.
3	1021-0625	Hexagon socket head cap screw M6x25	2	Pc.
4	1042-0006	Hexagon nut self-locking M6	2	Pc.
5	1150-0001	O-ring NBR 18x2	2	Pc.

# Spare parts



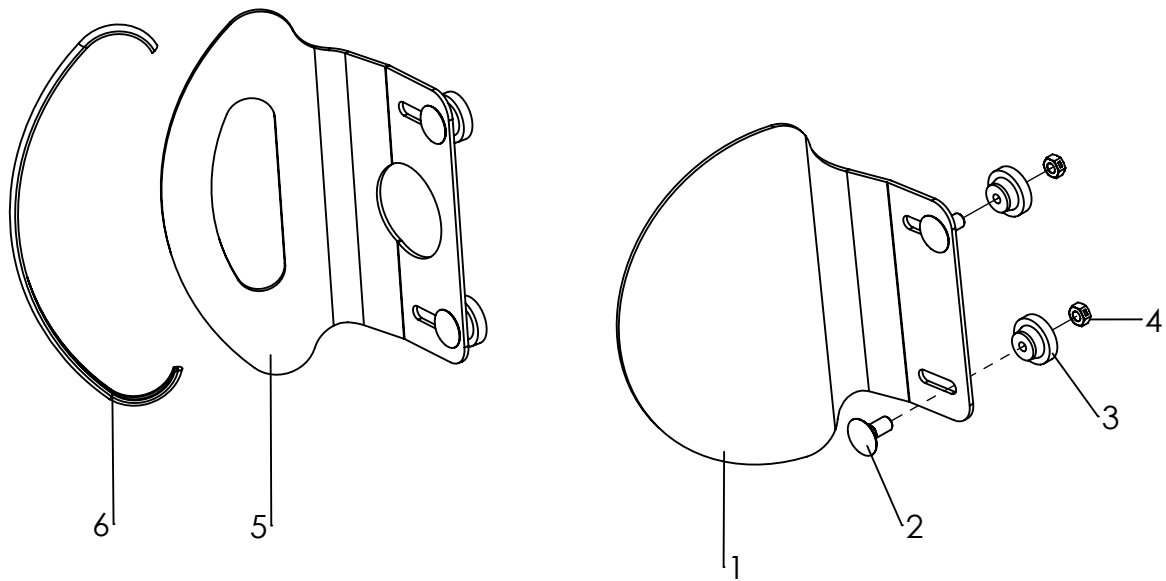
Pos	Article number	Articel description	Quantity	Unit
1-11	<b>3231-7201</b>	<b>Attendant brake, two hand use,mounted at the Push bar</b>	<b>1</b>	<b>Set</b>
	<b>3231-7202</b>	<b>Attendant brake, two hand use, mounted at the ratchet joints</b>	<b>1</b>	<b>Set</b>
	<b>3235-7201</b>	<b>Attendant brake, two hand use,mounted at the Push bar</b>	<b>1</b>	<b>Set</b>
	<b>3235-7202</b>	<b>Attendant brake, two hand use, mounted at the ratchet joints</b>	<b>1</b>	<b>Set</b>
1	1209-0021	Hand brake 80° no lock 22 mm	2	Pc.
	1209-0022	Hand brake 36° no lock 22 mm	2	Pc.
2	1209-0001	Break wire set 1,5m cable	2	Pc.
3	1204-0005	Brake disc with aluminium-ring	2	Pc.
4	1149-0001	Cable clip D 25	2	Pc.
5	1089-0004	Cable tie, black, 5x180	2	Pc.
6	1039-0006	Tapping screw with countersunk head	6	Pc.
7	1149-0003	Cable clip d 6,4 / 8 mm, black	4	Pc.
8	1062-0516	Blind rivet F5x16	2	Pc.
9	1051-0005	Washer A5,3 zp DIN/ISO 125 A5,3	6	Pc.
10	1029-0616	button head socket screw M6x16	2	Pc.
11	1050-0006	Washer A6,4	2	Pc.
12-18		<b>Spare parts, Attendant brake</b>		
12	3231-7217	Setscrew for cable, 160° angle	1	Pc.
13	1131-0073	Compression spring for hub brake	1	Pc.
14	1099-0015	Screw nipple	1	Pc.
15	3231-7213	Alu-profile bracket with brake pad	1	Pc.
16	3231-7214	Base plate for hub brake	1	Pc.
17	3231-7212	Cover for hub brake	1	Pc.
18	1039-0001	Screw for plastic, cross rcessed pan head w. flange zp 4x10	3	Pc.

# Spare parts



Pos	Article number	Articel description	Quantity	Unit
<b>1-4</b>	<b>3201-9300-323</b>	<b>Canopy size 1, incl. adapter and rain protection, iron gray</b>	<b>1</b>	<b>Set</b>
	<b>3235-9300-323</b>	<b>Canopy size 2, incl. adapter and rain protection, iron gray</b>	<b>1</b>	<b>Set</b>
1	7000-0007-323	Canopy with rain cover, gray	1	Pc.
2	7000-0008	Rain cover for canopy, BINGO	1	Pc.
	7000-0037	Rain cover for canopy Zip size 2	1	Pc.
3	7000-0004	Ratchet joint for canopy with fasteners	2	Pc.
4	3201-9310E	Canopy adapter with fastener complete	1	Set

# Spare parts



Pos	Article number	Articel description	Quantity	Unit
<b>1-4</b>	<b>3230-7602-323</b>	<b>Headrest pads size Mini irongrey, with upholstery</b>	<b>1</b>	<b>Pair</b>
	<b>3201-7600-323</b>	<b>Headrest pads size 1, irongrey, with upholstery</b>	<b>1</b>	<b>Pair</b>
	<b>3203-7600-323</b>	<b>Headrest pads size 2 irongrey, with upholstery</b>	<b>1</b>	<b>Pair</b>
1	3230-7631-032	Headrest size Mini	2	Pc.
	3201-7610-032	Headrest size 1	2	Pc.
	3203-7610-032	Headrest size 2	2	Pc.
2	1026-0520	Mushroom head square neck bolt M5x20	4	Pc.
3	1124-0500	Knurled nut PA black M5	4	Pc.
4	1049-0066	BILOC-Nut M5	4	Pc.
<b>2-6</b>	<b>3230-7601-323</b>	<b>Headrest pads low version size Mini iron grey, with upholstery</b>	<b>1</b>	<b>Pair</b>
	<b>3231-7600-323</b>	<b>Headrest pads low version size 1, iron grey, with upholstery</b>	<b>1</b>	<b>Pair</b>
	<b>3233-7600-323</b>	<b>Headrest pads low version size 2, iron grey, with upholstery</b>	<b>1</b>	<b>Pair</b>
5	3230-7611-032	Headrest low version size Mini	2	Pc.
	3231-7611-032	Headrest low version size 1	2	Pc.
	3233-7611-032	Headrest low version size 2	2	Pc.
6	1144-0001	KS-Profil PVC	2	Pc.
*	3230-7620-323	Head rest upholstery for low profile head rest, size Mini, iron grey	1	Pc.
*	3231-7620-323	Head rest upholstery for low profile head rest, size 1, iron grey	1	Pc.
*	3233-7620-323	Head rest upholstery for low profile head rest, size 2, iron grey	1	Pc.
*	3230-7640-323	Head rest upholstery size Mini, iron grey	1	Pc.
*	3201-7620-323	Head rest upholstery size 1, iron grey	1	Pc.
*	3203-7620-323	Head rest upholstery size 2, iron grey	1	Pc.

\* Not illustrated!

---

HOGGI GmbH  
Eulerstraße 27 • 56235 Ransbach-Baumbach • Deutschland  
Telefon: (+49) 2623 / 92 499-0 • Telefax: (+49) 2623 / 92 499-99  
E-mail: [info@hoggi.de](mailto:info@hoggi.de) • [www.hoggi.de](http://www.hoggi.de)

---