



**Krabat Jockey**



**Krabat Jockey Plus**



**Krabat Jockey Desk**

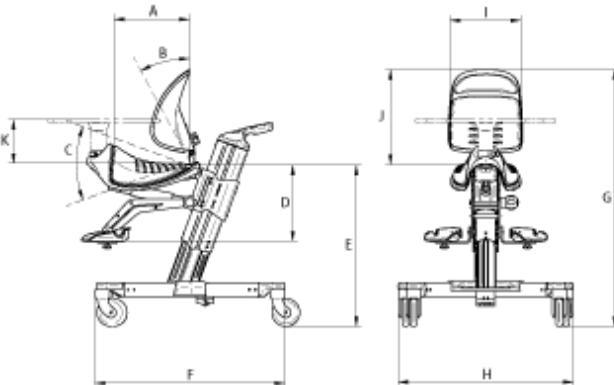
# Krabat Jockey



The Krabat Jockey is an active chair with saddle seat for children aged 2-14 years. The chair is suitable for children with a variety of diagnoses and is available in two sizes. The height adjustment is either operated with a remote control on the electric undercarriage or by pressing a button integrated in the handle on the manual undercarriage. The design of the saddle seat gives the child a more upright position ideal for use in kindergarten and school.

## Physiological benefits of using a saddle seat:

By opening the angle of the hips, the pelvis neutrally positioned. With the pelvis neutral the natural S-curve of the spine can be maintained over time. All major joints in the lower extremities become centered, which promotes normal muscle tone and muscle length. The hip joint is in its resting position in which the femoral head is positioned inside the hip socket. The sitting position in the saddle seat can prevent complications such as muscle contractures, hip pain and subluxations. The saddle seat enhances an active, upright seating position rather than a passive, slumped one.

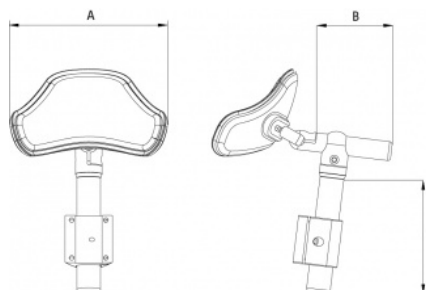
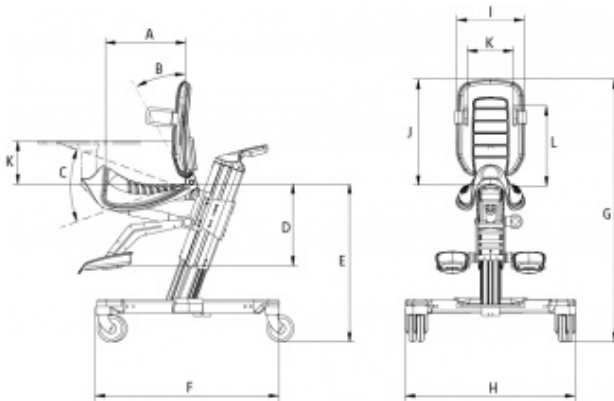


	Size 1	Size 2
Age Range (approx)	2-6 yrs	6-14 yrs
<b>A</b> Seat Depth Max.	11 in.	13 in.
<b>B</b> Backrest Angle	90°	90°
<b>C</b> Tilt	-20° to +20°	-20 to +20°
<b>D</b> Distance Seat to Footrest	6 - 16 in.	10 - 20 in.
<b>E</b> Height of Seat	15 - 31 in.	15- 31 in.
<b>F</b> Total Length In Use / Folded	27 in. / 26 in.	39 in / 33 in.
<b>G</b> Total Height In Use / Folded	44 in. / 25 in.	48 in / 28 in.
<b>H</b> Total Width In Use / Folded	25 in. / 25 in.	26 in. / 26 in.
<b>I</b> Width of Backrest	10 in.	13 in.
<b>J</b> Height of Backrest	14 - 15 in.	16 - 17 in.
Chair Weight Manual / Electric	27 lbs / 31 lbs	33 lbs / 37 lbs
Max User Weight Manual Base	143 lbs	143 lbs
Max User Weight Electric Base	110 lbs	110 lbs

# Krabat Jockey Plus



The Krabat Jockey Plus is an active chair with a saddle seat that offers more support and a higher level of comfort than the other Jockey chairs. The Plus backrest supports the upper body with adjustable side supports, head support and the use of different harnesses. The chair is suitable for children with a variety of diagnoses aged 2-14 years and is available in two sizes. The design of the saddle seat gives the child a more upright position ideal for use in kindergarten and school.



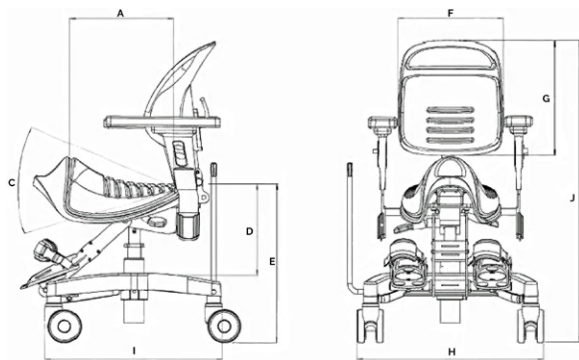
	Size 1	Size 2
Age Range (approx)	2-6 yrs	6-14 yrs
<b>A</b> Seat Depth Max.	10 in.	13 in.
<b>B</b> Backrest Angle	90°	90°
<b>C</b> Tilt	-20° to +20°	-20 to +20°
<b>D</b> Distance Seat to Footrest	6 - 16 in.	10 - 20 in.
<b>E</b> Height of Seat	15 - 31 in.	15- 31 in.
<b>F</b> Total Length In Use / Folded	27 in. / 26 in.	39 in / 33 in.
<b>G</b> Total Height In Use / Folded	44 in. / 25 in.	48 in / 28 in.
<b>H</b> Total Width In Use / Folded	25 in. / 25 in.	26 in. / 26 in.
<b>I</b> Width of Backrest	10 in.	13 in.
<b>J</b> Height of Backrest	14 - 15 in.	16 - 17 in.
<b>K</b> Width of Side Supports	6 - 8 in.	8 - 10 in.
<b>L</b> Height of Side Supports	6 - 12 in.	9 - 15 in.
Chair Weight Manual / Electric	27 / 31 lbs	35 / 39 lbs
Maximum User Weight Manual / Electric	143 lbs / 110 lbs	

<b>A</b> Headrest Width	5 in.
<b>B</b> Depth Adj. Rod Length	3 in.
<b>C</b> Height Adj. Rod Length	5 in.

# Krabat Jockey Desk



The Krabat Jockey Desk is the newest addition to the series of active chairs from Krabat. The compact and modern design of the undercarriage makes it easy to use even where space is limited. The chair is height adjustable and the seat can be tilted. The Jockey Desk comes in two sizes; size 2 for children aged 7-14 years and size 3 for youth aged 14 and up. The design of the saddle seat gives the child a more upright position ideal for use in kindergarten, at school or in the home.



	Size 2	Size 3
<b>A</b> Seat Depth	13 in.	16 in.
<b>B</b> Seat Width	12 in.	14 in.
<b>C</b> Tilt	-7° to +25°	-7° to +25°
<b>D</b> Seat to Footrest	13 -19 in.	13 - 19 in.
<b>E</b> Seat Height above floor	20 - 26 in.	20 - 26 in.
<b>F</b> Width of backrest	13 in.	13 in.
<b>G</b> Height of backrest	16 - 18 in.	16 - 18 in.
<b>H</b> Total Width	22 in.	22 in.
<b>I</b> Total Length	21 in.	21 in.
<b>J</b> Total Height	38 - 46 in.	38 - 46 in.
Width between Armrests	13 - 18 in.	13 - 18 in.
Height of Armrests	5 - 9 in.	5 - 9 in.
Max User Weight	220 lbs	220 lbs



**EMAIL & WEB:**

sales@adaptiveimports.com  
www.adaptiveimports.com

**PHONE & FAX:**

Tel: (877) 767-9462  
Fax: (877) 394-3465

**ADDRESS:**

2760 Circleport Dr.  
Erlanger, KY 41018

distributors of

