



Junior + 2024 Order Form



BILLING/SHIPPING INFORMATION						
Date:				Name:		
PO Number:				Address:		
Branch:						
Mark for:				City:		
Dealer Contact:				State:		
Email Address:				Zip Code:		
Phone:				Phone:		
QUOTE				ORDER		

A comfortable, contoured and stable modular seating system, designed to suit the needs of children between 3 and 12 years.



KEY FEATURES:

- Contoured PU seat with removable abduction pad and memory foam seat pad
 - 4 point lap strap
 - Height adjustable PU back pad
- Independently adjustable PU lumbar/sacral pad



	<u>Size 2</u>	<u>Size 3</u>
	3 years - 8 years	5 years - 12 years
Age range (approx.)		
User weight (max.)	110 lbs	
Back angle (posterior - anterior)	15° - 15°	
Back pad height from seat to top (min - max)	13"-17"	15.5"-20.5"
Chest width (min - max)	7" - 11"	8" - 12"
Hip width (min - max)	6"-14.75"	
Seat depth (min - max)	9" - 13"	11"-15"
Lower leg length (min - max)	10"-14"	10"-16"
Tilt in space angle range (posterior - anterior)	30° - 10°	
Y Base footprint	31" (L) x 26" (W)	
Seat height from floor (min - max)	13"-30"	14"-3 0"



Suggested HCPCS Code E1399*

**It is the responsibility of the CRT provider to determine the HCPCS code most appropriate for each circumstance. The HCPCS codes for reference only and are not to be deemed as legal advice. Actual coding and coverage varies by funding entities and the use of HCPCS does not guarantee coverage or payment.*

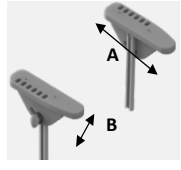
sales@adaptiveimports.com
Tel: (877)-767-9462
Fax: (877)-394-3465



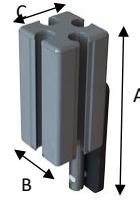
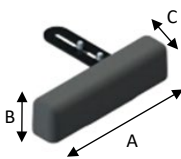
REQUIRED COMPONENTS

PACKAGE	 <p>A: 26" B: 27.6"</p>	<p>The Y-Base offers a height range of 11" - 30" alongside tilt-in-space functionality and lockable swivel casters. Gray in color.</p> <p style="text-align: center;">JM01-05 \$3,955</p> <p>(Standard Junior+ includes seat, memory foam seat pad, abduction pad, hip guides, lumbar pad, back pad, footpost and footplate, 4 point lap belt, padded seat and back covers, and mounting brackets for leg control pads.)</p> <p style="text-align: center; font-size: small;">Hip Guide Covers (COV004-05) OPTIONAL</p>											
		<table border="1" style="width: 100%; border-collapse: collapse;"> <tr> <td style="width: 15%;">Size 2</td> <td style="width: 15%;">JUC22</td> <td style="width: 15%;">\$3,148</td> <td style="width: 15%;"></td> <td style="width: 15%;"></td> <td style="width: 15%;"></td> </tr> <tr> <td>Size 3</td> <td>JUC23</td> <td>\$3,444</td> <td></td> <td></td> <td></td> </tr> </table>	Size 2	JUC22	\$3,148				Size 3	JUC23	\$3,444		
Size 2	JUC22	\$3,148											
Size 3	JUC23	\$3,444											

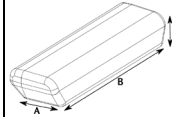
Armrests Recommended, NOT Required

<p>Armrests Independently adjustable for height and angle. Optional padded covers available (COV006)</p>	
<p>A: 12.1" B: 2.75"</p>	
JT01	\$381
COV006-05 \$75	

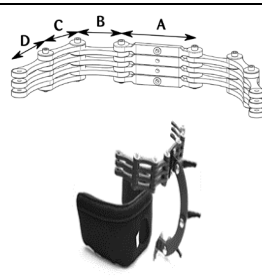
OPTIONAL COMPONENTS

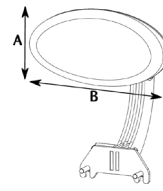
SEAT UNIT ACCESSORIES		<p>Back Extension Post Gives extra height to the back pad.</p> <p style="text-align: center; font-size: small;">A: 3.25" B: 1.5" C: 1.5"</p>
	JB18	\$126
		<p>Seat extension Provides extra length on one side of the seat.</p> <p style="text-align: center; font-size: small;">A: 7" B: 1.75" C: 1.5"</p>
	JL13	\$148
	JU71 Optional cover, black	\$59

	<p>Push handle Adjustable, padded, flip away handle makes moving equipment safer and easier.</p>
JB07	\$266

	<p>Ischial Bar Effective positioning aid to counteract sacral sitting</p> <p style="text-align: center; font-size: small;">A: 2.4" B: 8.7" C: 6.5"</p>
JM11	\$104

Padded hip guide covers, gray	COV004-05	\$73		
Size 2/3 hygiene seat cover, black	JU74	\$166		
Memory foam back pad	JM15	\$126		

HEAD SUPPORT		<p>Multigrip™ Headrest Provides height, depth and angle adjustment. Includes removable fabric cover. Black</p>
	MH01 01 (2 Link, A-C)	\$770
	MH05 (3 Link, A-D)	\$797
	<p style="font-size: small;">A: 5.1" B: 3.1" C: 3.1" D: 3.1"</p>	

	<p>Oval head support A simple, entry level head support for children who require minimal head positioning. Gray.</p> <p style="text-align: center; font-size: small;">A: 3.9" B: 7.5"</p>
MH02-05	\$380

GB66	Whitmyer interface bracket	\$137	
GB38	Stealth interface bracket	\$284	

OPTIONAL COMPONENTS

UPPER BODY SUPPORT

	Flexible Thoracic Support Pads Slim supports w/straps can flip-away and adjust for height and width. Includes cover PAIR
THC02 Flexi thoracics, size 1	A: 8.5" B: 3"
THC03 Flexi thoracics, size 2	A: 8.5" B: 4.3"
THC02	\$573
THC03	\$626

	Zip Waistcoat Harness Provides additional trunk support to children with low tone. Zipper allows for easy access to G tube site
HB02 Size 2:	A: 2" B: 12.6" C: 5.5" D: 6.1"
HB03 Size 3:	A: 2.6" B: 14.6" C: 6.9" D: 7.1"
HB02	\$158
HB03	\$161

LOWER BODY SUPPORT

	Shoulder Protractors Promotes mid-line hand positioning. Flip-away and adjustable for width and angle. PAIR.
	A: 8.5" B: 1.6" C: 5.9"
SS01	\$353
COV008-05 Optional covers gray	\$64

	Abduction Block Creates abducted seating position. Black
	Size 1- A: 3.3" B: 7.1" C: 6.1" D: 3"
	Size 2- A: 3.4" B: 7.9" C: 6.5" D: 3.5"
GL06 size 1	\$243
GL07 size 2	\$151

FOOT POSITIONING

	Box Style Footplate Provides a level of foot control while still allowing freedom of movement
	A: 11.4" B: 9.8" C: 6.3"
GL41	\$620

	Footplate Pad Provides a comfortable resting position for feet when no foot positioning is chosen.
	A: 15.7" B: 9.8" C: 1.6"
S7	\$161

Footrest height options		Size 2 Seat	Size 3 Seat
3 different sizes of bracket allow for different leg lengths	30mm Bracket= 7.7"-10.5" lower leg length range	JL16 \$524	\$524
	65mm Bracket= 9.75"-14.25" lower leg length range	JL15 ON JUC22	\$524
	125mm Bracket= 9.75"-16" lower leg length range	JL14 \$704	ON JUC23

OPTIONAL COMPONENTS

FOOT POSITIONING

	Dimensions Size 2 A: 3.7" B: 8.7"	Sandals 	Sandal Risers 	Sandals w/Ankle Snug 	Dimensions Size 2: A: 6.5"-11.6" B: 4.7" C: 0"- 8.9"	
	Size 3 A: 4.1" B: 10.8"				Size 3	
	N/A				N/A	

Sandals					
Ideal for positioning feet with a firm hold. Includes toe and heel straps. Black					
Size 2	S2	\$203			
Size 3	S3	\$218			

Sandal Risers					
Contains 4 blocks measuring .7" each and designed for use with 1 foot. Black					
Size 2	SRB2	\$158			
Size 3	SRB3	\$173			

Sandals w/Ankle Snug					
Offers unique magnetic buckle which can be operated single handed					
Size 2	S21	\$438			
Size 3	N/A				

ADDITIONAL ACCESSORIES

	Nursery Tray A hygienic easy to clean surface for work, feeding or play. *Requires armrests				
	Size 1- A: 25" B: 21.3" C: 7.1" D: 12.6"				
	Size 2- A: 26.4" B: 23.6" C: 7.1" D: 12.6"				
	JT02	size 2	\$475		
	JT03	size 3	\$524		

	Tray Padding						
	Extra cushioning for the tray top, attaches with Velcro. Covered in wipe-clean PU fabric. Available in full or half size. Black						
	Size 1- For JT02			Size 2- For JT03			
GT15	Half tray	\$313	<input type="checkbox"/>	GT16	Half tray	\$365	<input type="checkbox"/>
GT18	Full tray	\$401	<input type="checkbox"/>	GT19	Full tray	\$411	<input type="checkbox"/>

	Activity Frame Encourages head control and hand/eye coordination. Comes with 2 attaching clips. Natural				
	A: 21.3" B: 3.3" C: 6.3" D: 13.8" E: 3.3"				
	GT10	\$286			

	Elbow Blocks Used to encourage arms to midline position and/or block excessive retraction. Pair.				
	A: 3.9" B: 3.3" C: 5.5" Pad angle: 65°				
	JT08	\$235			

	Grab Bar Perfect for children who need to fix one hand to increase functionality. Natural				
	A: 21.3" B: 3.7" C: 2.8"				
	GT09	\$178			

HEADALOFT

Additional External Head Support Option

HeadAloft includes:

-Adjustable, removable, padded headrest with (2) buckle attachment straps-3 different sized, flip-away head support straps -Occipital support cushion



HEADALOFT

\$490